

Simpa®



ARALIK 2016
fiyat listesi



Genel Çalışma Şartlarımız

- Katalogumuzdaki ürünlerde, herhangi bir uyarıya gerek kalmaksızın; kod, ölçü ve fiyat değişikliği yapma hakkımız saklıdır.
- Önceden anlaşmaya varılmadığı takdirde, satılan ürünler iade alınmaz.
- Nakliye ücreti alıcıya aittir.
- Fiyatlarımıza K.D.V. dahil değildir.

Trade Policies

- We reserve the rights to change the codes, the measurements and the prices of catalog products, without any warning.
- Return is not possible without prior agreement.
- Consignment charge belongs to the buyer.
- Vat Tax is not included in our prices, it's additional.

Örnek Referans Modeli / Basic Reference Model

Kablo Pabucu Tipi / Kablo Kesiti (mm2) - Civata Ölçüsü (metrik) / Standart Civata Deligi
Type of Cable Lug / Cable Section (mm2) - Bolt Size (metric) / Standard Bolt Hole

SKP -A	150-M12	SD
--------	---------	----

İÇİNDEKİLER INDEX


	SKP-E / EKONOMİK TİP SIKMALI KABLO PABUCU SKP-E / ECONOMIC TYPE TUBULAR CABLE LUGS	6		SKP-S/GD / GÖZLEM DELİKLİ SIKMALI KABLO PABUCU SKP-S/GD / TUBULAR CABLE LUGS WITH INSPECTION HOLE	7
	SKP-A / AÇIK TİP SIKMALI KABLO PABUCU SKP-A / VISIBLE TYPE TUBULAR CABLE LUGS	8		SKP-S / STANDART TİP SIKMALI KABLO PABUCU SKP-S / STANDARD TYPE TUBULAR CABLE LUGS	10
	SKP-S1 / EUROPE TİP SIKMALI KABLO PABUCU SKP-S1 / EUROPE TYPE TUBULAR CABLE LUGS	12		SKP-S2 / SIKMALI KABLO PABUCU SKP-S2 / LONG BARREL TUBULAR CABLE LUGS	14
	SKP-S3 / SIKMALI KABLO PABUCU SKP-S3 / LONGER BARREL TUBULAR CABLE LUGS	16		SKP-D / DIN 46235 TİP SIKMALI KABLO PABUCU SKP-D / DIN 46235 TYPE TUBULAR CABLE LUGS	18
	SKP-D1 / KAYNAKLI TİP KABLO PABUCU DIN 46234 SKP-D1 / DIN 46234 TYPE CABLE LUGS	20		SKP-DG / DAR GİRİŞLİ SIKMALI KABLO PABUCU SKP-DG / TUBULAR CABLE LUGS FOR SWITCH GEAR CONNECTIONS	22
	SKP-L45S / SKP-L90S AÇILI STANDART TİP (S) KABLO PABUCU SKP-L45S / SKP-L90S STANDARD TYPE ANGULAR CABLE LUGS	23		SKP-L90-S1 / SKP-L45-S1 AÇILI EUROPE TİP KABLO PABUCU SKP-L90-S1 / SKP-L45-S1 EUROPE TYPE ANGULAR CABLE LUGS	24-26
	SKP-C / ÇİFT DELİKLİ SIKMALI KABLO PABUCU SKP-C / TUBULAR CABLE LUGS WITH TWO CONNECTION HOLES	28		SKP-F / ÇATAL TİP SIKMALI KABLO PABUCU SKP-F / TUBULAR CABLE LUGS	30
	SEM-A / SEM-D SIKMALI EK MUFLARI SEM-A / STANDARD TYPE SEM-D / DIN 46237 TYPE BUTT CONNECTORS	31		AKP-D / DIN 46239 ALÜMİNYUM KABLO PABUCU AKP-D / DIN 46239 TYPE ALUMINIUM CABLE LUGS	32
	AKP-DY / ALÜMİNYUM KABLO PABUCU OKSİT KORUMA YAĞLI AKP-DY / ALUMINIUM CABLE LUGS WITH OXIDE PROTECTION OIL	33		AKP-DK / ALÜMİNYUM KABLO PABUCU KALAY KAPLI VE OKSİT KORUMA YAĞLI AKP-DK / ALUMINIUM CABLE LUGS TIN PLATED & WITH OXIDE PROTECTION OIL	34

İÇİNDEKİLER
INDEX




AEM-D / ALÜMİNYUM SIKMALI EK MUFLARI
AEM-D / DIN 46267-2 TYPE ALUMINIUM BUTT CONNECTORS

35



BKP-D / BİMETAL KABLO PABUÇLARI (AL-CU)
BKP-D / BIMETALLIC CABLE LUGS (AL-CU)

36




BEM-D / BİMETAL EK MUFLARI (AL-CU)
BEM-D / BIMETALLIC BUTT CONNECTORS (AL-CU)

37




İZOLELİ / İZOLESİZ BARALAR
INSULATED / NON-INSULATED BUSBARS

38-41




IKY / KY / İZOLELİ-İZOLESİZ KABLO YÜKSÜKLERİ
IKY / KY / INSULATED - NON-INSULATED CABLE END-SLEEVES

42




IKY/2 / İZOLELİ ÇİFT GİRİŞLİ KABLO YÜKSÜKLERİ
IKY/2 / INSULATED TWIN CABLE END-SLEEVES

43



SP-YK / İZOLELİ YUVARLAK TİP KABLO PABUÇLARI
SP-YK / INSULATED RING TYPE TERMINALS

44



SP-CK / İZOLELİ ÇATAL TİP KABLO PABUÇLARI
SP-CK / INSULATED FORK TYPE TERMINALS

45




SP-İK / İZOLELİ İĞNE TİP KABLO UÇLARI
SP-İK / INSULATED PIN TYPE CONNECTORS

46




SP-FD / İZOLELİ DİŞİ FASTON TİP KABLO UÇLARI
SP-FD / INSULATED RECEPTACLES

47




SP-FE / İZOLELİ ERKEK FASTON TİP KABLO UÇLARI
SP-FD / INSULATED TABS

48




SP-IFD / SP-FEG / İZOLELİ FASTON TİP KABLO UÇLARI
SP-IFD / SP-FEG / INSULATED RECEPTACLES

49




SP-ET / SP-DT / İZOLELİ ERKEK KABLO TERMİNALLERİ
ET / SP-DT / INSULATED BULLET CONNECTORS

50



SP-IEM / SP-IBU / İZOLELİ EK MUFLARI
SP-IEM / SP-IBU / INSULATED BUTT CONNECTORS

51

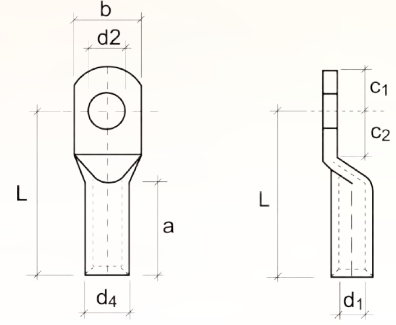


KSP - HSP - ASP / SIKMA PENSİLERİ
KSP - HSP - ASP / CRIMPING TOOLS

52-54

SKP-E

EKONOMİK TİP SIKMALI KABLO PABUCU ECONOMIC TYPE TUBULAR CABLE LUGS (TAM BOYLARI STANDART TİP KABLO PABUÇLARI ÖLÇÜSÜNDEDİR.)



*5846 sayılı yasa gereği fotoğrafların izinsiz yayınlanması ve kullanılması kesinlikle yasaktır.

ÜRÜN KODU Order Code	KABLO KESİTİ Cable Section (mm ²)	CIVATA DELİĞİ Bolt	BOYUTLAR Dimensions								KUTU ADEDİ Box Pcs.	KUTU AĞIRLIĞI Box Weight	KOLİ ADEDİ Parcel Pcs.	KOLİ AĞIRLIĞI Box Weight	BİRİM FİYATI Unit Price TL
			d1	d4	a	d2	b	c1	c2	L					
SKP-E/016-M05	16	M5	5,5	7,0	12,5	5,5	10,5	7,5	7,5	24,0	500	~2,0 kg.	5.000	~ 20 kg.	0,48
SKP-E/016-M06/SD		M6	5,5	7,0	12,5	6,5	10,5	7,5	7,5	24,0	500	~2,0 kg.	5.000	~ 20 kg.	0,42
SKP-E/025-M05	25	M5	7,0	9,0	17,5	5,5	14,0	8,5	8,5	30,5	300	~2,4 kg.	3.000	~ 24 kg.	0,95
SKP-E/025-M06		M6	7,0	9,0	17,5	6,5	14,0	8,5	8,5	30,5	300	~2,4 kg.	3.000	~ 24 kg.	0,95
SKP-E/025-M08/SD		M8	7,0	9,0	17,5	8,5	14,0	8,5	8,5	30,5	300	~2,4 kg.	3.000	~ 24 kg.	0,85
SKP-E/035-M06	35	M6	8,5	10,5	18,5	6,5	15,5	9,5	9,5	34,0	200	~2,2 kg.	2.000	~ 22 kg.	1,40
SKP-E/035-M08/SD		M8	8,5	10,5	18,5	8,5	15,5	9,5	9,5	34,0	200	~2,2 kg.	2.000	~ 22 kg.	1,35
SKP-E/050-M06	50	M6	10,0	12,0	20,0	6,5	18,0	11,0	11,0	39,5	125	~1,8 kg.	1.250	~ 18 kg.	1,70
SKP-E/050-M08		M8	10,0	12,0	20,0	8,5	18,0	11,0	11,0	39,5	125	~1,9 kg.	1.250	~ 19 kg.	1,70
SKP-E/050-M10/SD		M10	10,0	12,0	20,0	10,5	18,0	11,0	11,0	39,5	125	~1,8 kg.	1.250	~ 18 kg.	1,58
SKP-E/070-M06	70	M6	11,5	14,0	22,0	6,5	21,0	11,0	11,0	42,0	80	~1,7 kg.	800	~ 17 kg.	2,65
SKP-E/070-M08		M8	11,5	14,0	22,0	8,5	21,0	11,0	11,0	42,0	80	~1,7 kg.	800	~ 17 kg.	2,65
SKP-E/070-M10/SD		M10	11,5	14,0	22,0	10,5	21,0	11,0	11,0	42,0	80	~1,7 kg.	800	~ 17 kg.	2,50
SKP-E/095-M08	95	M8	13,5	16,0	25,0	8,5	24,5	12,0	12,5	48,0	60	~1,8 kg.	600	~ 18 kg.	3,25
SKP-E/095-M10		M10	13,5	16,0	25,0	10,5	24,5	12,0	12,5	48,0	60	~1,9 kg.	600	~ 19 kg.	3,10
SKP-E/095-M12/SD		M12	13,5	16,0	25,0	13,0	24,5	12,0	12,5	48,0	60	~1,8 kg.	600	~ 18 kg.	3,10
SKP-E/120-M08	120	M8	15,5	18,0	27,0	8,5	27,0	14,0	14,0	52,0	50	~1,8 kg.	500	~ 18 kg.	4,15
SKP-E/120-M10		M10	15,5	18,0	27,0	10,5	27,0	14,0	14,0	52,0	50	~1,8 kg.	500	~ 18 kg.	4,15
SKP-E/120-M12/SD		M12	15,5	18,0	27,0	13,0	27,0	14,0	14,0	52,0	50	~1,8 kg.	500	~ 18 kg.	3,90
SKP-E/150-M08	150	M8	16,5	20,0	29,0	8,5	29,0	14,0	14,0	54,5	35	~2,0 kg.	350	~ 20 kg.	6,60
SKP-E/150-M10		M10	16,5	20,0	29,0	10,5	29,0	14,0	14,0	54,5	35	~2,0 kg.	350	~ 20 kg.	6,60
SKP-E/150-M12/SD		M12	16,5	20,0	29,0	13,0	29,0	14,0	14,0	54,5	35	~2,0 kg.	350	~ 20 kg.	6,25
SKP-E/185-M10	185	M10	18,5	22,0	32,0	10,5	32,0	14,5	14,5	61,5	25	~1,8 kg.	250	~ 18 kg.	7,50
SKP-E/185-M12/SD		M12	18,5	22,0	32,0	13,0	32,0	14,5	14,5	61,5	25	~1,8 kg.	250	~ 18 kg.	7,00
SKP-E/240-M10	240	M10	21,5	25,5	36,5	10,5	37,5	16,0	16,0	69,0	20	~2,2 kg.	200	~ 22 kg.	10,00
SKP-E/240-M12/SD		M12	21,5	25,5	36,5	13,0	37,5	16,0	16,0	69,0	20	~2,2 kg.	200	~ 22 kg.	10,00

SKP-E Özellikleri

Hammadde	: EN 13600 Bakır Boru
Material	: Electrolytic Copper Conformed To EN 13600
Kaplama	: Kalay
Coating	: Tin Plated
Bağlantı	: Sıkma
Joint	: Clamp Coupling
Boru Et Kalınlığı	: Orta
Thickness	: Medium
Kablo Girişi	: Normal
Cable Entry	: Standard



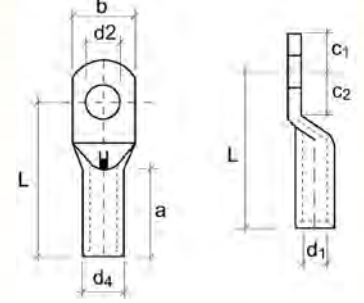
Bu tabloda koyu yazı karakteri ile belirtilmiş olan kablo pabuçları standart üretimimizdir.
The cable lugs which are indicated in bold font, are standart products of **Simpa**.

SKP-S/GD

GÖZLEM DELİKLİ SIKMALI KABLO PABUCU TUBULAR CABLE LUGS WITH INSPECTION HOLE



*5846 sayılı yasa gereği fotoğrafların izinsiz yayınlanması ve kullanılması kesinlikle yasaktır.



ÜRÜN KODU Order Code	KABLO KESİTİ Cable Section (mm ²)	CIVAĞA DELİĞİ Bolt	BOYUTLAR Dimensions									KUTU ADEDİ Box Pcs.	KUTU AĞIRLIĞI Box Weight	KOLİ ADEDİ Parcel Pcs.	KOLİ AĞIRLIĞI Box Weight	BİRİM FİYATI Unit Price TL
			d1	d4	a	d2	b	c1	c2	L						
SKP-S/GD/016-M06/SD	16	M06	5,5	7,5	12,5	6,5	12,0	7,5	7,5	24,0	400	~2,0 kg.	3.200	~16,0 kg	0,80	
SKP-S/GD/025-M08/SD	25	M08	7,0	9,5	17,5	8,5	14,0	8,5	8,5	30,5	300	~2,5 kg.	2.400	~20,0 kg	1,30	
SKP-S/GD/035-M08/SD	35	M08	8,5	11,0	19,0	8,5	16,5	9,5	9,5	34,5	200	~2,6 kg.	1.600	~20,8 kg	1,70	
SKP-S/GD/050-M10/SD	50	M10	10,0	13,0	20,0	10,5	19,0	11,0	11,0	39,5	125	~2,6 kg.	1.000	~20,8 kg	2,75	
SKP-S/GD/070-M10/SD	70	M10	11,5	14,5	21,5	10,5	21,0	11,0	11,0	41,5	80	~2,1 kg.	640	~16,8 kg	3,75	
SKP-S/GD/095-M12/SD	95	M12	13,5	16,5	25,0	13,0	24,0	12,5	12,5	48,0	60	~1,9 kg.	480	~15,2 kg	4,00	
SKP-S/GD/120-M12/SD	120	M12	14,5	18,0	27,0	13,0	26,5	14,0	14,0	52,0	50	~2,4 kg.	400	~19,2 kg	5,75	
SKP-S/GD/150-M12/SD	150	M12	16,5	21,0	29,0	13,0	30,5	15,0	15,0	57,0	30	~2,4 kg.	240	~19,2 kg	8,75	
SKP-S/GD/185-M12/SD	185	M12	18,5	23,0	33,0	13,0	33,5	16,0	16,0	63,0	20	~1,9 kg.	160	~15,2 kg	10,50	
SKP-S/GD/240-M12/SD	240	M12	21,0	26,0	37,0	13,0	38,0	16,5	16,5	70,0	20	~2,7 kg.	160	~21,6 kg	14,25	

SKP-S/DG Özellikleri

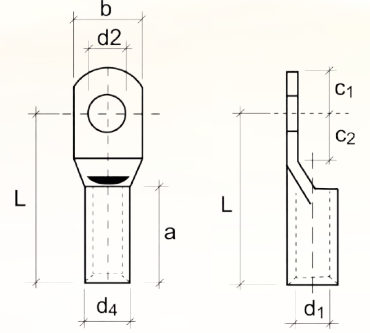
Hammadde	: EN 13600 Bakır Boru
Material	: Electrolytic Copper Conformed To EN 13600
Kaplama	: Kalay
Coating	: Tin Plated
Bağlantı	: Sıkma
Joint	: Clamp Coupling
Boru Et Kalınlığı	: Kalın
Thickness	: Thick
Kablo Girişi	: Normal
Cable Entry	: Standard



SKP-A AÇIK TİP SIKMALI KABLO PABUCU VISIBLE TYPE TUBULAR CABLE LUGS



*5846 sayılı yasa gereği fotoğrafların izinsiz yayınlanması ve kullanılması kesinlikle yasaktır.



ÜRÜN KODU Order Code	KABLO KESİTİ Cable Section (mm ²)	CIVATA DELİĞİ Bolt	BOYUTLAR Dimensions								KUTU ADEĐİ Box Pcs.	KUTU AĞIRLIĞI Box Weight	KOLİ ADEĐİ Parcel Pcs.	KOLİ AĞIRLIĞI Box Weight	BİRİM FİYATI Unit Price TL
			d1	d4	a	d2	b	c1	c2	L					
SKP-A/006-M04	6	M4	4,0	5,5	9,5	4,3	9,0	6,5	6,5	18,0	1.000	~2,2 kg.	8.000	17,6	0,45
SKP-A/006-M05/SD		M5	4,0	5,5	9,5	5,3	9,0	6,5	6,5	18,0	1.000	~2,2 kg.	8.000	17,6	0,45
SKP-A/010-M04	10	M4	4,5	6,0	11,5	4,3	9,0	7,0	7,0	20,0	800	~2,2 kg.	6.400	17,6	0,50
SKP-A/010-M05/SD		M5	4,5	6,0	11,5	5,3	9,0	7,0	7,0	20,0	800	~2,2 kg.	6.400	17,6	0,45
SKP-A/016-M05	16	M5	5,5	7,5	13,0	5,3	11,5	7,5	7,5	23,5	400	~2,1 kg.	3.200	16,8	0,70
SKP-A/016-M06/SD		M6	5,5	7,5	13,0	6,5	11,5	7,5	7,5	23,5	400	~2,0 kg.	3.200	16,0	0,65
SKP-A/025-M05	25	M5	7,0	9,5	17,5	5,3	14,0	8,5	8,5	28,5	300	~2,7 kg.	2.400	21,6	1,15
SKP-A/025-M06		M6	7,0	9,5	17,5	6,5	14,0	8,5	8,5	28,5	300	~2,7 kg.	2.400	21,6	1,15
SKP-A/025-M08/SD		M8	7,0	9,5	17,5	8,5	14,0	8,5	8,5	28,5	300	~2,7 kg.	2.400	21,6	1,10
SKP-A/035-M06	35	M6	8,5	11,0	19,5	6,5	16,5	9,5	9,5	33,0	200	~2,6 kg.	1.600	20,8	1,60
SKP-A/035-M08/SD		M8	8,5	11,0	19,5	8,5	16,5	9,5	9,5	33,0	200	~2,7 kg.	1.600	21,6	1,50
SKP-A/035-M10		M10	8,5	11,0	19,5	10,5	16,5	10,0	10,0	33,0	200	~2,5 kg.	1.600	20,0	1,60
SKP-A/050-M06	50	M6	10,0	13,0	21,0	6,5	19,0	11,0	11,0	37,5	125	~2,6 kg.	1.000	20,8	2,45
SKP-A/050-M08		M8	10,0	13,0	21,0	8,5	19,0	11,0	11,0	37,5	125	~2,8 kg.	1.000	22,4	2,45
SKP-A/050-M10/SD		M10	10,0	13,0	21,0	10,5	19,0	11,0	11,0	37,5	125	~2,6 kg.	1.000	20,8	2,45
SKP-A/050-M12		M12	10,0	13,0	21,0	13,0	19,0	11,0	11,0	37,5	125	~2,5 kg.	1.000	20,0	2,55
SKP-A/070-M06	70	M6	11,5	14,5	24,0	6,5	21,0	11,0	11,0	40,0	80	~2,2 kg.	640	17,6	3,25
SKP-A/070-M08		M8	11,5	14,5	24,0	8,5	21,0	11,0	11,0	40,0	80	~2,1 kg.	640	16,8	3,25
SKP-A/070-M10/SD		M10	11,5	14,5	24,0	10,5	21,0	11,0	11,0	40,0	80	~2,1 kg.	640	16,8	3,25
SKP-A/070-M12		M12	11,5	14,5	24,0	13,0	21,0	11,0	11,0	40,0	80	~1,9 kg.	640	15,2	3,50
SKP-A/070-M14		M14	11,5	14,5	24,0	14,5	21,0	11,0	11,0	40,0	80	~1,9 kg.	640	15,2	4,25
SKP-A/095-M08	95	M8	13,5	16,5	27,0	8,5	24,0	12,5	12,5	45,5	60	~2,0 kg.	480	16,0	3,80
SKP-A/095-M10		M10	13,5	16,5	27,0	10,5	24,0	12,5	12,5	45,5	60	~2,0 kg.	480	16,0	3,60
SKP-A/095-M12/SD		M12	13,5	16,5	27,0	13,0	24,0	12,5	12,5	45,5	60	~1,9 kg.	480	15,2	3,60
SKP-A/120-M08	120	M8	14,5	18,0	30,0	8,5	26,5	14,0	14,0	50,5	50	~2,4 kg.	400	19,2	5,00
SKP-A/120-M10		M10	14,5	18,0	30,0	10,5	26,5	14,0	14,0	50,5	50	~2,4 kg.	400	19,2	5,00
SKP-A/120-M12/SD		M12	14,5	18,0	30,0	13,0	26,5	14,0	14,0	50,5	50	~2,4 kg.	400	19,2	5,00
SKP-A/120-M14		M14	14,5	18,0	30,0	14,5	26,5	14,0	14,0	50,5	50	~2,3 kg.	400	18,4	5,00
SKP-A/120-M16		M16	14,5	18,0	30,0	16,5	26,5	14,0	14,0	50,5	50	~2,3 kg.	400	18,4	5,25

ÜRÜN KODU Order Code	KABLO KESİTİ Cable Section (mm ²)	CIVATA DELİĞİ Bolt	BOYUTLAR Dimensions								KUTU ADEĐİ Box Pcs.	KUTU AĞIRLIĞI Box Weight	KOLİ ADEĐİ Parcel Pcs.	KOLİ AĞIRLIĞI Box Weight	BİRİM FİYATI Unit Price TL
			d1	d4	a	d2	b	c1	c2	L					
SKP-A/150-M08	150	M8	16,5	21,0	31,5	8,5	30,5	15,0	15,0	54,5	30	~2,4 kg.	240	19,2	8,50
SKP-A/150-M10		M10	16,5	21,0	31,5	10,5	30,5	15,0	15,0	54,5	30	~2,4 kg.	240	19,2	8,50
SKP-A/150-M12/SD		M12	16,5	21,0	31,5	13,0	30,5	15,0	15,0	54,5	30	~2,3 kg.	240	18,4	8,00
SKP-A/150-M14		M14	16,5	21,0	31,5	14,5	30,5	15,0	15,0	54,5	30	~2,3 kg.	240	18,4	8,00
SKP-A/150-M16		M16	16,5	21,0	31,5	16,5	30,5	15,0	15,0	54,5	30	~2,2 kg.	240	17,6	8,50
SKP-A/150-M20		M20	16,5	21,0	31,5	21,0	30,5	15,0	15,0	54,5	30	~2,1 kg.	240	16,8	8,50
SKP-A/185-M10	185	M10	18,5	23,0	34,5	10,5	33,5	16,0	16,0	61,0	20	~1,9 kg.	160	15,2	10,00
SKP-A/185-M12/SD		M12	18,5	23,0	34,5	13,0	33,5	16,0	16,0	61,0	20	~1,9 kg.	160	15,2	9,50
SKP-A/185-M14		M14	18,5	23,0	34,5	14,5	33,5	16,0	16,0	61,0	20	~1,8 kg.	160	14,4	9,50
SKP-A/185-M16		M16	18,5	23,0	34,5	16,5	33,5	16,0	16,0	61,0	20	~1,8 kg.	160	14,4	9,50
SKP-A/185-M20		M20	18,5	23,0	34,5	21,0	33,5	16,0	16,0	61,0	20	~1,7 kg.	160	13,6	10,00
SKP-A/240-M10	240	M10	21,0	26,0	39,0	10,5	38,0	16,5	16,5	65,5	20	~2,5 kg.	160	20,0	13,50
SKP-A/240-M12/SD		M12	21,0	26,0	39,0	13,0	38,0	16,5	16,5	65,5	20	~2,5 kg.	160	20,0	13,00
SKP-A/240-M14		M14	21,0	26,0	39,0	14,5	38,0	16,5	16,5	65,5	20	~2,5 kg.	160	20,0	13,00
SKP-A/240-M16		M16	21,0	26,0	39,0	16,5	38,0	16,5	16,5	65,5	20	~2,4 kg.	160	19,2	13,00
SKP-A/240-M20		M20	21,0	26,0	39,0	21,0	38,0	16,5	16,5	65,5	20	~2,4 kg.	160	19,2	13,50
SKP-A/300-M12	300	M12	23,5	28,5	42,5	13,0	42,0	19,0	22,0	77,0	16	~2,8 kg.	128	22,4	16,50
SKP-A/300-M14		M14	23,5	28,5	42,5	15,0	42,0	19,0	22,0	77,0	16	~2,8 kg.	128	22,4	16,50
SKP-A/300-M16/SD		M16	23,5	28,5	42,5	17,0	42,0	19,0	22,0	77,0	16	~2,8 kg.	128	22,4	16,50
SKP-A/300-M20		M20	23,5	28,5	42,5	21,0	42,0	19,0	22,0	77,0	16	~2,7 kg.	128	21,6	16,50
SKP-A/400-M12	400	M12	27,0	33,0	47,0	13,0	48,0	20,0	20,0	84,0	6		48		26,50
SKP-A/400-M14		M14	27,0	33,0	47,0	15,0	48,0	20,0	20,0	84,0	6		48		26,50
SKP-A/400-M16/SD		M16	27,0	33,0	47,0	17,0	48,0	20,0	20,0	84,0	6		48		26,50
SKP-A/400-M20		M20	27,0	33,0	47,0	21,0	48,0	20,0	20,0	84,0	6		48		28,00

SKP-A Özellikleri

Hammadde	: EN 13600 Bakır Boru
Material	: Electrolytic Copper Conformed To EN 13600
Kaplama	: Kalay
Coating	: Tin Plated
Bağlantı	: Sıkma veya Lehim
Joint	: Clamp Coupling or Solder
Boru Et Kalınlığı	: Kalın
Thickness	: Thick
Kablo Girişi	: Normal
Cable Entry	: Standard



Bu tabloda koyu yazı karakteri ile belirtilmiş olan kablo pabuçları standart üretimimizdir.

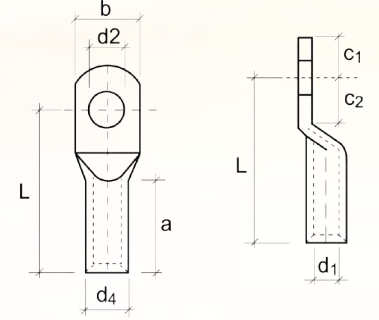
The cable lugs which are indicated in bold font, are standart products of **Simpa®**

SKP-S STANDART TİP SIKMALI KABLO PABUCU

STANDARD TYPE TUBULAR CABLE LUGS



*5846 sayılı yasa gereği fotoğrafların izinsiz yayınlanması ve kullanılması kesinlikle yasaktır.



ÜRÜN KODU Order Code	KABLO KESİTİ Cable Section (mm ²)	CIVATA DELİĞİ Bolt	BOYUTLAR Dimensions								KUTU ADEDİ Box Pcs.	KUTU AĞIRLIĞI Box Weight	KOLİ ADEDİ Parcel Pcs.	KOLİ AĞIRLIĞI Box Weight	BİRİM FİYATI Unit Price TL
			d1	d4	a	d2	b	c1	c2	L					
SKP-S/006-M04	6	M4	4,0	5,5	9,5	4,3	9,0	6,5	6,5	19,0	1.000	~2,3 kg.	8.000	~18,4 kg	0,50
SKP-S/006-M05/SD		M5	4,0	5,5	9,5	5,3	9,0	6,5	6,5	19,0	1.000	~2,2 kg.	8.000	~17,6 kg	0,50
SKP-S/006-M06		M6	4,0	6,0	11,0	6,4	10,5	7,0	7,0	21,0	700	~2,4 kg.	5.600	~20,0 kg	0,66
SKP-S/006-M08		M8	4,0	6,0	11,0	8,4	13,0	8,0	8,0	22,5	600	~2,2 kg.	4.800	~17,6 kg	0,76
SKP-S/010-M04	10	M4	4,5	6,0	11,5	4,3	9,0	7,0	7,0	21,0	800	~2,3 kg.	6.400	~18,4 kg	0,60
SKP-S/010-M05/SD		M5	4,5	6,0	11,5	5,3	9,0	7,0	7,0	21,0	800	~2,3 kg.	6.400	~18,4 kg	0,50
SKP-S/010-M06		M6	4,5	6,5	13,0	6,4	11,0	7,0	7,0	23,0	700	~2,9 kg.	5.600	~23,2 kg	0,55
SKP-S/010-M08		M8	4,5	6,5	13,0	8,4	13,0	8,0	8,0	24,5	600	~2,5 kg.	4.800	~20,0 kg	0,60
SKP-S/010-M10		M10	4,5	6,5	13,0	10,5	15,5	9,0	9,0	27,0	500	~2,2 kg.	4.000	~17,6 kg	0,80
SKP-S/016-M05	16	M5	5,5	7,5	12,5	5,3	12,0	7,5	7,5	24,0	400	~2,2 kg.	3.200	~17,6 kg	0,75
SKP-S/016-M06/SD		M6	5,5	7,5	12,5	6,5	12,0	7,5	7,5	24,0	400	~2,1 kg.	3.200	~16,8 kg	0,75
SKP-S/016-M08		M8	5,5	7,5	13,0	8,4	13,0	8,0	8,0	25,5	500	~2,6 kg.	4.000	~20,8 kg	0,80
SKP-S/016-M10		M10	5,5	7,5	13,0	10,5	16,0	9,0	9,0	27,0	400	~2,2 kg.	3.200	~17,6 kg	0,95
SKP-S/025-M06	25	M6	7,0	9,5	17,5	6,5	14,0	8,5	8,5	30,5	300	~2,8 kg.	2.400	~22,4 kg	1,25
SKP-S/025-M08/SD		M8	7,0	9,5	17,5	8,5	14,0	8,5	8,5	30,5	300	~3,0 kg.	2.400	~24,0 kg	1,20
SKP-S/025-M10		M10	7,0	9,5	17,5	10,5	16,0	10,0	10,0	31,5	250	~2,4 kg.	2.000	~19,2 kg	1,30
SKP-S/025-M12		M12	7,0	9,5	17,5	13,0	18,0	11,0	11,0	35,0	200	~2,2 kg.	1.600	~17,6 kg	1,50
SKP-S/035-M06	35	M6	8,5	11,0	19,0	6,5	16,5	9,5	9,5	34,5	200	~2,9 kg.	1.600	~23,2 kg	1,70
SKP-S/035-M08/SD		M8	8,5	11,0	19,0	8,5	16,5	9,5	9,5	34,5	200	~2,7 kg.	1.600	~21,6 kg	1,63
SKP-S/035-M10		M10	8,5	11,0	19,0	10,5	16,5	10,0	10,0	34,5	200	~2,6 kg.	1.600	~20,8 kg	1,63
SKP-S/035-M12		M12	8,5	11,0	19,0	13,0	18,0	11,0	11,0	36,5	150	~2,1 kg.	1.200	~16,8 kg	1,90
SKP-S/050-M06	50	M6	10,0	13,0	20,0	6,5	19,0	11,0	11,0	39,5	125	~2,9 kg.	1.000	~23,2 kg	2,60
SKP-S/050-M08		M8	10,0	13,0	20,0	8,5	19,0	11,0	11,0	39,5	125	~2,9 kg.	1.000	~23,2 kg	2,60
SKP-S/050-M10/SD		M10	10,0	13,0	20,0	10,5	19,0	11,0	11,0	39,5	125	~2,8 kg.	1.000	~22,4 kg	2,60
SKP-S/050-M12		M12	10,0	13,0	20,0	13,0	19,0	11,0	11,0	39,5	125	~2,6 kg.	1.000	~20,8 kg	2,70
SKP-S/050-M14		M14	10,0	13,0	20,0	14,5	21,0	13,0	13,0	42,0	100	~2,3 kg.	800	~18,4 kg	2,95
SKP-S/070-M06	70	M6	11,5	14,5	21,5	6,5	21,0	11,0	11,0	41,5	80	~2,3 kg.	640	~18,4 kg	3,55
SKP-S/070-M08		M8	11,5	14,5	21,5	8,5	21,0	11,0	11,0	41,5	80	~2,1 kg.	640	~16,8 kg	3,55
SKP-S/070-M10/SD		M10	11,5	14,5	21,5	10,5	21,0	11,0	11,0	41,5	80	~2,1 kg.	640	~16,8 kg	3,55
SKP-S/070-M12		M12	11,5	14,5	21,5	13,0	21,0	11,0	11,0	41,5	80	~2,1 kg.	640	~16,8 kg	3,75
SKP-S/070-M14		M14	11,5	14,5	21,5	14,5	23,0	13,0	13,0	46,5	70	~2,0 kg.	560	~16,0 kg	4,50
SKP-S/070-M16		M16	11,5	14,5	21,5	16,5	23,0	16,0	16,0	46,5	70	~2,0 kg.	560	~16,0 kg	4,60

ÜRÜN KODU Order Code	KABLO KESİTİ Cable Section (mm ²)	CIVATA DELİĞİ Bolt	BOYUTLAR Dimensions								KUTU ADEDİ Box Pcs.	KUTU AĞIRLIĞI Box Weight	KOLİ ADEDİ Parcel Pcs.	KOLİ AĞIRLIĞI Box Weight	BİRİM FİYATI Unit Price TL
			d1	d4	a	d2	b	c1	c2	L					
SKP-S/095-M06	95	M6	13,5	16,5	25,0	6,5	24,0	12,0	12,5	48,0	60	~2,2 kg.	480	~17,6 kg	4,25
SKP-S/095-M08		M8	13,5	16,5	25,0	8,5	24,0	12,0	12,5	48,0	60	~2,2 kg.	480	~17,6 kg	4,00
SKP-S/095-M10		M10	13,5	16,5	25,0	10,5	24,0	12,0	12,5	48,0	60	~2,2 kg.	480	~17,6 kg	3,75
SKP-S/095-M12/SD		M12	13,5	16,5	25,0	13,0	24,0	12,0	12,5	48,0	60	~2,1 kg.	480	~16,8 kg	3,75
SKP-S/095-M14		M14	13,5	16,5	25,0	14,5	26,0	14,0	14,0	50,0	50	~1,9 kg.	400	~15,2 kg	5,25
SKP-S/095-M16		M16	13,5	16,5	25,0	16,5	26,0	16,0	16,0	50,0	50	~1,9 kg.	400	~15,2 kg	5,25
SKP-S/120-M08	120	M8	14,5	18,0	27,0	8,5	26,5	14,0	14,0	52,0	50	~2,4 kg.	400	~19,2 kg	5,50
SKP-S/120-M10		M10	14,5	18,0	27,0	10,5	26,5	14,0	14,0	52,0	50	~2,4 kg.	400	~19,2 kg	5,50
SKP-S/120-M12/SD		M12	14,5	18,0	27,0	13,0	26,5	14,0	14,0	52,0	50	~2,4 kg.	400	~19,2 kg	5,50
SKP-S/120-M14		M14	14,5	18,0	27,0	14,5	26,5	14,0	14,0	52,0	50	~1,8 kg.	400	~14,4 kg	5,60
SKP-S/120-M16		M16	14,5	18,0	27,0	16,5	26,5	14,0	14,0	52,0	50	~1,8 kg.	400	~14,4 kg	5,65
SKP-S/120-M20		M20	14,5	18,0	27,0	21,0	29,0	16,0	16,0	54,0	40	~1,9 kg.	320	~15,2 kg	5,90
SKP-S/150-M08	150	M8	16,5	21,0	29,0	8,5	30,5	15,0	15,0	57,0	30	~2,5 kg.	240	~20,0 kg	9,00
SKP-S/150-M10		M10	16,5	21,0	29,0	10,5	30,5	15,0	15,0	57,0	30	~2,5 kg.	240	~20,0 kg	8,90
SKP-S/150-M12/SD		M12	16,5	21,0	29,0	13,0	30,5	15,0	15,0	57,0	30	~2,5 kg.	240	~20,0 kg	8,50
SKP-S/150-M14		M14	16,5	21,0	29,0	14,5	30,5	15,0	15,0	57,0	30	~2,3 kg.	240	~18,4 kg	8,90
SKP-S/150-M16		M16	16,5	21,0	29,0	16,5	30,5	15,0	15,0	57,0	30	~2,3 kg.	240	~18,4 kg	9,00
SKP-S/150-M20		M20	16,5	21,0	29,0	21,0	30,5	15,0	15,0	57,0	30	~2,2 kg.	240	~17,6 kg	9,00
SKP-S/185-M10	185	M10	18,5	23,0	33,0	10,5	33,5	16,0	16,0	63,0	20	~2,0 kg.	160	~16,0 kg	10,00
SKP-S/185-M12/SD		M12	18,5	23,0	33,0	13,0	33,5	16,0	16,0	63,0	20	~2,0 kg.	160	~16,0 kg	10,00
SKP-S/185-M14		M14	18,5	23,0	33,0	14,5	33,5	16,0	16,0	63,0	20	~1,9 kg.	160	~15,2 kg	10,00
SKP-S/185-M16		M16	18,5	23,0	33,0	16,5	33,5	16,0	16,0	63,0	20	~1,9 kg.	160	~15,2 kg	10,00
SKP-S/185-M20		M20	18,5	23,0	33,0	21,0	33,5	16,0	16,0	63,0	20	~1,8 kg.	160	~14,4 kg	10,00
SKP-S/240-M10		240	M10	21,0	26,0	37,0	10,5	38,0	16,5	16,5	70,0	20	~2,8 kg.	160	~22,4 kg
SKP-S/240-M12/SD	M12		21,0	26,0	37,0	13,0	38,0	16,5	16,5	70,0	20	~2,7 kg.	160	~21,6 kg	13,75
SKP-S/240-M14	M14		21,0	26,0	37,0	14,5	38,0	16,5	16,5	70,0	20	~2,6 kg.	160	~20,8 kg	13,75
SKP-S/240-M16	M16		21,0	26,0	37,0	16,5	38,0	16,5	16,5	70,0	20	~2,6 kg.	160	~20,8 kg	13,75
SKP-S/240-M20	M20		21,0	26,0	37,0	21,0	38,0	16,5	16,5	70,0	20	~2,5 kg.	160	~20,0 kg	14,00
SKP-S/300-M10	300		M10	23,5	28,5	41,0	10,5	42,0	19,0	22,0	80,0	16	~2,8 kg.	128	~22,4 kg
SKP-S/300-M12		M12	23,5	28,5	41,0	13,0	42,0	19,0	22,0	80,0	16	~2,8 kg.	128	~22,4 kg	17,25
SKP-S/300-M14		M14	23,5	28,5	41,0	15,0	42,0	19,0	22,0	80,0	16	~2,7 kg.	128	~21,6 kg	17,25
SKP-S/300-M16/SD		M16	23,5	28,5	41,0	17,0	42,0	19,0	22,0	80,0	16	~2,6 kg.	128	~20,8 kg	17,25
SKP-S/300-M20		M20	23,5	28,5	41,0	21,0	42,0	19,0	22,0	80,0	16	~2,5 kg.	128	~20,0 kg	17,25
SKP-S/400-M12		400	M12	27,0	33,0	46,0	13,0	48,0	20,0	20,0	90,0	6	~1,7 kg.	48	~13,6 kg
SKP-S/400-M14	M14		27,0	33,0	46,0	15,0	48,0	20,0	20,0	90,0	6	~1,7 kg.	48	~13,6 kg	27,50
SKP-S/400-M16/SD	M16		27,0	33,0	46,0	17,0	48,0	20,0	20,0	90,0	6	~1,6 kg.	48	~12,8 kg	27,50
SKP-S/400-M20	M20		27,0	33,0	46,0	21,0	48,0	20,0	20,0	90,0	6	~1,7 kg.	48	~13,6 kg	29,00
SKP-S/500-M16	500	M16	30,0	38,0	56,0	17,0	54,0	22,0	22,0	99,0	5	~2,2 kg.	40	~17,6 kg	47,50
SKP-S/500-M20/SD		M20	30,0	38,0	56,0	21,0	54,0	22,0	22,0	99,0	5	~2,1 kg.	40	~16,8 kg	47,50
SKP-S/625-M16	625	M16	34,0	42,0	60,0	17,0	61,0	23,0	23,0	113,0	4	~2,3 kg.	32	~18,4 kg	82,00
SKP-S/625-M20/SD		M20	34,0	42,0	60,0	21,0	61,0	23,0	23,0	113,0	4	~2,3 kg.	32	~18,4 kg	82,00

SKP-S Özellikleri

Hammadde	: EN 13600 Bakır Boru
Material	: Electrolytic Copper Conformed To EN 13600
Kaplama	: Kalay
Coating	: Tin Plated
Bağlantı	: Sıkma
Joint	: Clamp Coupling
Boru Et Kalınlığı	: Kalın
Thickness	: Thick
Kablo Girişi	: Normal
Cable Entry	: Standard



Bu tabloda koyu yazı karakteri ile belirtilmiş olan kablo pabuçları standart üretimimizdir.

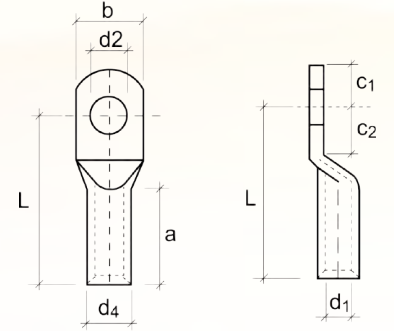
The cable lugs which are indicated in bold font, are standart products of **Simpa**

SKP-S1 EUROPE TİP SIKMALI KABLO PABUCU

EUROPE TYPE TUBULAR CABLE LUGS



*5846 sayılı yasa gereği fotoğrafların izinsiz yayınlanması ve kullanılması kesinlikle yasaktır.



ÜRÜN KODU Order Code	KABLO KESİTİ Cable Section (mm ²)	CIVATA DELİĞİ Bolt	BOYUTLAR Dimensions									KUTU ADEDİ Box Pcs.	KUTU AĞIRLIĞI Box Weight	KOLİ ADEDİ Parcel Pcs.	KOLİ AĞIRLIĞI Box Weight	BİRİM FİYATI Unit Price TL
			d1	d4	a	d2	b	c1	c2	L						
SKP-S1/010-M05	10	M5	4,5	7,0	10,0	5,5	12,0	6,5	7,5	22,0	500	~2,1 kg	3.000	~12,6 kg	0,75	
SKP-S1/010-M06/SD		M6	4,5	7,0	10,0	6,5	12,0	6,2	7,5	22,0	500	~2,1 kg	3.000	~12,6 kg	0,75	
SKP-S1/010-M08		M8	4,5	7,5	10,0	8,5	15,0	10,0	10,0	25,0	400	~2,4 kg	2.400	~14,4 kg	0,90	
SKP-S1/010-M10		M10	4,5	7,5	10,0	10,5	17,0	12,0	12,0	27,0	400	~2,6 kg	2.400	~15,6 kg	1,05	
SKP-S1/010-M12		M12	4,5	7,5	10,0	13,0	19,0	13,0	13,0	29,0	400	~2,7 kg	2.400	~16,2 kg	1,30	
SKP-S1/016-M05	16	M5	5,5	8,5	13,0	5,5	12,0	5,5	6,5	26,0	400	~2,2 kg	2.400	~13,2 kg	1,25	
SKP-S1/016-M06		M6	5,5	8,5	13,0	6,5	12,0	6,2	7,5	27,0	400	~3,4 kg	2.400	~20,4 kg	1,25	
SKP-S1/016-M08/SD		M8	5,5	8,5	13,0	8,4	15,0	8,5	9,5	29,0	300	~2,8 kg	1.800	~16,8 kg	1,25	
SKP-S1/016-M10		M10	5,5	8,5	13,0	10,5	17,0	10,5	11,5	31,0	300	~3,0 kg	1.800	~18,0 kg	1,50	
SKP-S1/016-M12		M12	5,5	8,5	13,0	13,0	19,0	13,0	13,0	33,0	250	~2,6 kg	1.500	~15,6 kg	1,75	
SKP-S1/025-M05	25	M5	7,0	10,0	15,0	5,5	14,0	7,5	7,5	30,0	200	~2,5 kg	1.200	~15,0 kg	1,80	
SKP-S1/025-M06		M6	7,0	10,0	15,0	6,5	14,0	7,5	7,5	30,0	200	~2,4 kg	1.200	~14,4 kg	1,80	
SKP-S1/025-M08/SD		M8	7,0	10,0	15,0	8,4	16,0	10,0	10,0	32,0	200	~2,7 kg	1.200	~16,2 kg	1,80	
SKP-S1/025-M10		M10	7,0	10,0	15,0	10,5	18,0	12,0	12,0	34,0	200	~2,8 kg	1.200	~16,8 kg	1,95	
SKP-S1/025-M12		M12	7,0	10,0	15,0	13,0	19,0	13,0	13,0	35,0	200	~2,8 kg	1.200	~16,8 kg	2,20	
SKP-S1/035-M06	35	M6	8,5	12,0	17,0	6,5	17,0	7,5	7,5	32,0	125	~2,3 kg	750	~13,8 kg	2,65	
SKP-S1/035-M08/SD		M8	8,5	12,0	17,0	8,4	17,0	10,0	10,0	34,0	125	~2,5 kg	750	~15,0 kg	2,65	
SKP-S1/035-M10		M10	8,5	12,0	17,0	10,5	19,0	12,0	12,0	37,0	125	~2,7 kg	750	~16,2 kg	2,95	
SKP-S1/035-M12		M12	8,5	12,0	17,0	13,0	21,0	13,0	13,0	38,0	125	~2,7 kg	750	~16,2 kg	3,15	
SKP-S1/035-M16		M16	8,5	12,0	17,0	17,0	26,0	16,0	16,0	42,0	100	~2,9 kg	600	~17,4 kg	4,00	
SKP-S1/050-M06	50	M6	10,0	14,0	19,0	6,5	20,0	10,0	10,0	37,0	80	~2,4 kg	480	~14,4 kg	4,15	
SKP-S1/050-M08		M8	10,0	14,0	19,0	8,5	20,0	10,0	10,0	37,0	80	~2,3 kg	480	~13,8 kg	4,15	
SKP-S1/050-M10/SD		M10	10,0	14,0	19,0	10,5	20,0	12,0	12,0	39,0	80	~2,5 kg	480	~15,0 kg	4,00	
SKP-S1/050-M12		M12	10,0	14,0	19,0	13,0	23,0	13,0	13,0	43,0	80	~2,7 kg	480	~16,2 kg	4,65	
SKP-S1/050-M14		M14	10,0	14,0	19,0	15,0	23,0	14,5	14,5	45,0	80	~2,7 kg	480	~16,2 kg	4,65	
SKP-S1/050-M16		M16	10,0	14,0	19,0	17,0	28,0	16,0	16,0	46,0	80	~2,8 kg	480	~16,8 kg	5,40	
SKP-S1/050-M20		M20	10,0	14,0	19,0	21,0	30,0	19,0	19,0	48,0	80	~2,7 kg	480	~16,2 kg	5,75	
SKP-S1/070-M06	70	M6	12,0	16,5	21,0	6,5	23,0	10,0	10,0	43,0	60	~2,8 kg	360	~16,8 kg	5,90	
SKP-S1/070-M08		M8	12,0	16,5	21,0	8,5	23,0	10,0	10,0	43,0	60	~2,7 kg	360	~16,2 kg	5,80	
SKP-S1/070-M10/SD		M10	12,0	16,5	21,0	10,5	23,0	12,0	12,0	44,0	60	~2,8 kg	360	~16,8 kg	5,80	
SKP-S1/070-M12		M12	12,0	16,5	21,0	13,0	23,0	13,0	13,0	46,0	60	~2,9 kg	360	~17,4 kg	6,15	
SKP-S1/070-M14		M14	12,0	16,5	21,0	15,0	23,0	14,5	14,5	48,0	60	~2,9 kg	360	~17,4 kg	6,50	
SKP-S1/070-M16		M16	12,0	16,5	21,0	17,0	28,0	16,0	16,0	50,0	50	~2,6 kg	300	~15,6 kg	8,00	
SKP-S1/070-M20		M20	12,0	16,5	21,0	21,0	30,0	19,0	19,0	53,0	50	~2,6 kg	300	~15,6 kg	8,00	

ÜRÜN KODU Order Code	KABLO KESİTİ Cable Section (mm ²)	CIVATA DELİĞİ Bolt	BOYUTLAR Dimensions								KUTU ADEDİ Box Pcs.	KUTU AĞIRLIĞI Box Weight	KOLİ ADEDİ Parcel Pcs.	KOLİ AĞIRLIĞI Box Weight	BİRİM FİYATI Unit Price TL
			d1	d4	a	d2	b	c1	c2	L					
SKP-S1/095-M08	95	M8	13,5	18,0	25,0	8,5	26,0	12,0	12,0	48,0	50	~2,9 kg	300	~17,4 kg	6,15
SKP-S1/095-M10		M10	13,5	18,0	25,0	10,5	26,0	12,0	12,0	48,0	50	~2,9 kg	300	~17,4 kg	6,15
SKP-S1/095-M12/SD		M12	13,5	18,0	25,0	13,0	26,0	13,0	13,0	49,0	50	~2,8 kg	300	~16,8 kg	6,15
SKP-S1/095-M14		M14	13,5	18,0	25,0	15,0	26,0	14,5	14,5	51,0	50	~2,9 kg	300	~17,4 kg	6,15
SKP-S1/095-M16		M16	13,5	18,0	25,0	17,0	28,0	16,0	16,0	54,0	50	~3,0 kg	300	~18,0 kg	6,90
SKP-S1/095-M20		M20	13,5	18,0	25,0	21,0	36,0	22,0	22,0	60,0	50	~3,5 kg	300	~21,0 kg	7,15
SKP-S1/120-M08	120	M8	15,0	19,5	26,0	8,5	28,0	14,0	14,0	51,0	40	~2,7 kg	240	~16,2 kg	7,15
SKP-S1/120-M10		M10	15,0	19,5	26,0	10,5	28,0	14,0	14,0	51,0	40	~2,7 kg	240	~16,2 kg	7,15
SKP-S1/120-M12/SD		M12	15,0	19,5	26,0	13,0	28,0	14,0	14,0	51,0	40	~2,6 kg	240	~15,6 kg	6,90
SKP-S1/120-M14		M14	15,0	19,5	26,0	15,0	28,0	15,0	15,0	52,0	40	~2,6 kg	240	~15,6 kg	7,15
SKP-S1/120-M16		M16	15,0	19,5	26,0	17,0	30,0	16,0	16,0	54,0	40	~2,7 kg	240	~16,2 kg	7,50
SKP-S1/120-M20		M20	15,0	19,5	26,0	21,0	36,0	22,0	22,0	63,0	40	~3,2 kg	240	~19,2 kg	8,25
SKP-S1/150-M08	150	M8	16,5	21,0	30,0	8,5	31,0	14,0	14,0	56,0	30	~2,4 kg	180	~14,4 kg	8,90
SKP-S1/150-M10		M10	16,5	21,0	30,0	10,5	31,0	14,0	14,0	56,0	30	~2,4 kg	180	~14,4 kg	8,90
SKP-S1/150-M12/SD		M12	16,5	21,0	30,0	13,0	31,0	15,0	15,0	57,0	30	~2,4 kg	180	~14,4 kg	8,50
SKP-S1/150-M14		M14	16,5	21,0	30,0	15,0	31,0	15,0	15,0	57,0	30	~2,4 kg	180	~14,4 kg	8,50
SKP-S1/150-M16		M16	16,5	21,0	30,0	17,0	31,0	16,0	16,0	58,0	30	~2,3 kg	180	~13,8 kg	9,00
SKP-S1/150-M20		M20	16,5	21,0	30,0	21,0	36,0	22,0	22,0	66,0	30	~2,7 kg	180	~16,2 kg	9,25
SKP-S1/185-M10	185	M10	19,0	24,0	30,0	10,5	35,0	18,0	18,0	65,0	20	~2,5 kg	120	~15,0 kg	12,00
SKP-S1/185-M12		M12	19,0	24,0	30,0	13,0	35,0	18,0	18,0	65,0	20	~2,4 kg	120	~14,4 kg	12,00
SKP-S1/185-M14		M14	19,0	24,0	30,0	15,0	35,0	18,0	18,0	65,0	20	~2,3 kg	120	~13,8 kg	12,00
SKP-S1/185-M16/SD		M16	19,0	24,0	30,0	17,0	35,0	18,0	18,0	65,0	20	~2,3 kg	120	~13,8 kg	12,00
SKP-S1/185-M20		M20	19,0	24,0	30,0	21,0	39,0	22,0	22,0	69,0	20	~2,4 kg	120	~14,4 kg	12,50
SKP-S1/240-M10	240	M10	21,0	26,0	35,0	10,5	39,0	21,5	19,0	72,0	20	~3,0 kg	120	~18,0 kg	14,00
SKP-S1/240-M12		M12	21,0	26,0	35,0	13,0	39,0	21,5	19,0	72,0	20	~3,0 kg	120	~18,0 kg	14,00
SKP-S1/240-M14		M14	21,0	26,0	35,0	15,0	39,0	21,5	19,0	72,0	20	~3,0 kg	120	~18,0 kg	14,00
SKP-S1/240-M16/SD		M16	21,0	26,0	35,0	17,0	39,0	21,5	19,0	72,0	20	~2,9 kg	120	~17,4 kg	14,00
SKP-S1/240-M20		M20	21,0	26,0	35,0	21,0	39,0	21,5	19,0	72,0	20	~2,8 kg	120	~16,8 kg	14,50
SKP-S1/300-M12	300	M12	23,5	29,5	44,0	13,0	43,0	24,0	24,0	87,0	8	~1,9 kg	48	~11,4 kg	22,50
SKP-S1/300-M14		M14	23,5	29,5	44,0	15,0	43,0	24,0	24,0	87,0	8	~1,9 kg	48	~11,4 kg	22,50
SKP-S1/300-M16		M16	23,5	29,5	44,0	17,0	43,0	24,0	24,0	87,0	8	~1,9 kg	48	~11,4 kg	22,50
SKP-S1/300-M20/SD		M20	23,5	29,5	44,0	21,0	43,0	24,0	24,0	87,0	8	~1,9 kg	48	~11,4 kg	22,50
SKP-S1/400-M12	400	M12	27,0	34,0	44,0	13,0	49,0	24,0	24,0	90,0	6	~2,0 kg	36	~12,0 kg	35,00
SKP-S1/400-M14		M14	27,0	34,0	44,0	15,0	49,0	24,0	24,0	90,0	6	~2,0 kg	36	~12,0 kg	35,00
SKP-S1/400-M16		M16	27,0	34,0	44,0	17,0	49,0	24,0	24,0	90,0	6	~2,0 kg	36	~12,0 kg	35,00
SKP-S1/400-M20/SD		M20	27,0	34,0	44,0	21,0	49,0	24,0	24,0	90,0	6	~1,9 kg	36	~11,4 kg	35,00

SKP-S1 Özellikleri

Hammadde	: EN 13600 Bakır Boru
Material	: Electrolytic Copper Conformed To EN 13600
Kaplama	: Kalay
Coating	: Tin Plated
Bağlantı	: Sıkma
Joint	: Clamp Coupling
Boru Et Kalınlığı	: Çok Kalın
Thickness	: Very Thick
Kablo Girişi	: Normal
Cable Entry	: Standard



Bu tabloda koyu yazı karakteri ile belirtilmiş olan kablo pabuçları standart üretimimizdir.

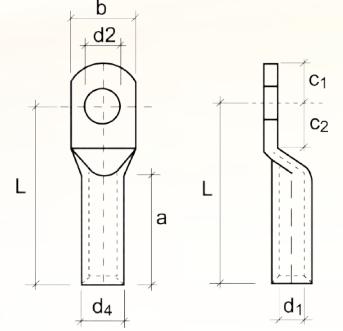
The cable lugs which are indicated in bold font, are standart products of **Simpa**

SKP-S2

SIKMALI KABLO PABUCU LONG BARREL TUBULAR CABLE LUGS



*5846 sayılı yasa gereği fotoğrafların izinsiz yayınlanması ve kullanılması kesinlikle yasaktır.



ÜRÜN KODU Order Code	KABLO KESİTİ Cable Section (mm ²)	CIVATA DELİĞİ Bolt	BOYUTLAR Dimensions								KUTU ADEĐİ Box Pcs.	KUTU AĞIRLIĞI Box Weight	KOLİ ADEĐİ Parcel Pcs.	KOLİ AĞIRLIĞI Box Weight	BİRİM FİYATI Unit Price TL
			d1	d4	a	d2	b	c1	c2	L					
SKP-S2/010-M05	10	M5	4,5	7,0	14,0	5,5	12,0	6,5	7,5	26,0	400	~2,6 kg.	3.200	~20,8 kg	1,00
SKP-S2/010-M06/SD		M6	4,5	7,0	14,0	6,5	12,0	6,2	7,5	26,0	400	~2,4 kg.	3.200	~19,2 kg	1,00
SKP-S2/010-M08		M8	4,5	7,5	14,0	8,5	15,0	10,0	10,0	29,0	400	~2,7 kg.	3.200	~21,6 kg	1,25
SKP-S2/010-M10		M10	4,5	7,5	14,0	10,5	17,0	12,0	12,0	31,0	400	~2,9 kg.	3.200	~23,2 kg	1,40
SKP-S2/010-M12		M12	4,5	7,5	14,0	13,0	19,0	13,0	13,0	33,0	300	~3,0 kg.	2.400	~24,0 kg	1,50
SKP-S2/016-M05	16	M5	5,5	8,5	17,0	5,5	12,0	5,5	6,5	30,0	250	~2,5 kg.	2.000	~20,0 kg	1,75
SKP-S2/016-M06		M6	5,5	8,5	17,0	6,5	12,0	6,2	7,5	31,0	250	~2,6 kg.	2.000	~20,8 kg	1,75
SKP-S2/016-M08/SD		M8	5,5	8,5	17,0	8,4	15,0	8,5	9,5	33,0	250	~2,7 kg.	2.000	~21,6 kg	1,75
SKP-S2/016-M10		M10	5,5	8,5	17,0	10,5	17,0	10,5	11,5	35,0	250	~2,9 kg.	2.000	~23,2 kg	1,90
SKP-S2/016-M12		M12	5,5	8,5	17,0	13,0	19,0	12,0	13,0	37,0	250	~3,1 kg.	2.000	~24,8 kg	2,10
SKP-S2/025-M05	25	M5	7,0	10,0	19,0	5,5	14,0	7,5	7,5	34,0	175	~2,4 kg.	1.400	~19,2 kg	2,40
SKP-S2/025-M06		M6	7,0	10,0	19,0	6,5	14,0	7,5	7,5	34,0	175	~2,4 kg.	1.400	~19,2 kg	2,40
SKP-S2/025-M08/SD		M8	7,0	10,0	19,0	8,4	16,0	10,0	10,0	36,0	175	~2,6 kg.	1.400	~20,8 kg	2,40
SKP-S2/025-M10		M10	7,0	10,0	19,0	10,5	18,0	12,0	12,0	38,0	175	~2,8 kg.	1.400	~22,4 kg	2,50
SKP-S2/025-M12		M12	7,0	10,0	19,0	13,0	19,0	13,0	13,0	39,0	175	~2,7 kg.	1.400	~21,6 kg	2,65
SKP-S2/035-M06	35	M6	8,5	12,0	23,0	6,5	17,0	7,5	7,5	38,0	100	~2,2 kg.	800	~17,6 kg	3,70
SKP-S2/035-M08/SD		M8	8,5	12,0	23,0	8,4	17,0	10,0	10,0	40,0	100	~2,3 kg.	800	~18,4 kg	3,70
SKP-S2/035-M10		M10	8,5	12,0	23,0	10,5	19,0	12,0	12,0	43,0	100	~2,5 kg.	800	~20,0 kg	4,10
SKP-S2/035-M12		M12	8,5	12,0	23,0	13,0	21,0	13,0	13,0	44,0	100	~2,5 kg.	800	~20,0 kg	4,30
SKP-S2/035-M16		M16	8,5	12,0	23,0	17,0	26,0	16,0	16,0	48,0	100	~2,6 kg.	800	~20,8 kg	4,50
SKP-S2/050-M06	50	M6	10,0	14,0	25,0	6,5	20,0	10,0	10,0	43,0	60	~2,1 kg.	480	~16,8 kg	4,85
SKP-S2/050-M08		M8	10,0	14,0	25,0	8,5	20,0	10,0	10,0	43,0	60	~2,0 kg.	480	~16,0 kg	4,85
SKP-S2/050-M10/SD		M10	10,0	14,0	25,0	10,5	20,0	12,0	12,0	45,0	60	~2,1 kg.	480	~16,8 kg	4,85
SKP-S2/050-M12		M12	10,0	14,0	25,0	13,0	23,0	13,0	13,0	49,0	60	~2,3 kg.	480	~18,4 kg	5,50
SKP-S2/050-M16		M16	10,0	14,0	25,0	17,0	28,0	16,0	16,0	52,0	60	~2,3 kg.	480	~18,4 kg	5,90
SKP-S2/050-M20		M20	10,0	14,0	25,0	21,0	30,0	19,0	19,0	54,0	60	~2,3 kg.	480	~18,4 kg	6,20
SKP-S2/070-M06	70	M6	12,0	16,5	29,0	6,5	23,0	10,0	10,0	51,0	50	~2,7 kg.	400	~21,6 kg	7,00
SKP-S2/070-M08		M8	12,0	16,5	29,0	8,5	23,0	10,0	10,0	51,0	50	~2,6 kg.	400	~20,8 kg	7,00
SKP-S2/070-M10/SD		M10	12,0	16,5	29,0	10,5	23,0	12,0	12,0	52,0	50	~2,7 kg.	400	~21,6 kg	7,00
SKP-S2/070-M12		M12	12,0	16,5	29,0	13,0	23,0	13,0	13,0	54,0	50	~2,7 kg.	400	~21,6 kg	7,50
SKP-S2/070-M16		M16	12,0	16,5	29,0	17,0	28,0	16,0	16,0	58,0	50	~2,9 kg.	400	~23,2 kg	7,75
SKP-S2/070-M20		M20	12,0	16,5	29,0	21,0	30,0	19,0	19,0	61,0	50	~3,0 kg.	400	~24,0 kg	8,00

ÜRÜN KODU Order Code	KABLO KESİTİ Cable Section (mm ²)	CIVATA DELİĞİ Bolt	BOYUTLAR Dimensions								KUTU ADEĐİ Box Pcs.	KUTU AĞIRLIĞI Box Weight	KOLİ ADEĐİ Parcel Pcs.	KOLİ AĞIRLIĞI Box Weight	BİRİM FİYATI Unit Price TL
			d1	d4	a	d2	b	c1	c2	L					
SKP-S2/095-M08	95	M8	13,5	18,0	33,0	8,5	26,0	12,0	12,0	56,0	40	~2,6 kg.	320	~20,8 kg	8,00
SKP-S2/095-M10		M10	13,5	18,0	33,0	10,5	26,0	12,0	12,0	56,0	40	~2,6 kg.	320	~20,8 kg	8,00
SKP-S2/095-M12/SD		M12	13,5	18,0	33,0	13,0	26,0	13,0	13,0	57,0	40	~2,6 kg.	320	~20,8 kg	8,00
SKP-S2/095-M16		M16	13,5	18,0	33,0	17,0	28,0	16,0	16,0	62,0	40	~2,7 kg.	320	~21,6 kg	8,60
SKP-S2/095-M20		M20	13,5	18,0	33,0	21,0	36,0	22,0	22,0	68,0	40	~3,1 kg.	320	~24,8 kg	9,00
SKP-S2/120-M08	120	M8	15,0	19,5	36,0	8,5	28,0	14,0	14,0	61,0	30	~2,4 kg.	240	~19,2 kg	9,50
SKP-S2/120-M10		M10	15,0	19,5	36,0	10,5	28,0	14,0	14,0	61,0	30	~2,3 kg.	240	~18,4 kg	9,50
SKP-S2/120-M12/SD		M12	15,0	19,5	36,0	13,0	28,0	14,0	14,0	61,0	30	~2,3 kg.	240	~18,4 kg	9,50
SKP-S2/120-M16		M16	15,0	19,5	36,0	17,0	30,0	16,0	16,0	64,0	30	~2,3 kg.	240	~18,4 kg	10,25
SKP-S2/120-M20		M20	15,0	19,5	36,0	21,0	36,0	22,0	22,0	73,0	30	~2,7 kg.	240	~21,6 kg	11,00
SKP-S2/150-M08	150	M8	16,5	21,0	40,0	8,5	31,0	14,0	14,0	66,0	25	~2,3 kg.	200	~18,4 kg	12,50
SKP-S2/150-M10		M10	16,5	21,0	40,0	10,5	31,0	14,0	14,0	66,0	25	~2,3 kg.	200	~18,4 kg	12,50
SKP-S2/150-M12/SD		M12	16,5	21,0	40,0	13,0	31,0	15,0	15,0	67,0	25	~2,3 kg.	200	~18,4 kg	12,50
SKP-S2/150-M16		M16	16,5	21,0	40,0	17,0	31,0	16,0	16,0	68,0	25	~2,2 kg.	200	~17,6 kg	13,25
SKP-S2/150-M20		M20	16,5	21,0	40,0	21,0	36,0	22,0	22,0	76,0	25	~2,6 kg.	200	~20,8 kg	13,75
SKP-S2/185-M10	185	M10	19,0	24,0	42,0	10,5	35,0	16,0	16,0	72,5	20	~2,6 kg.	160	~20,8 kg	14,50
SKP-S2/185-M12/SD		M12	19,0	24,0	42,0	13,0	35,0	16,0	16,0	72,5	20	~2,6 kg.	160	~20,8 kg	14,50
SKP-S2/185-M16		M16	19,0	24,0	42,0	17,0	35,0	16,0	16,0	72,5	20	~2,7 kg.	160	~21,6 kg	14,50
SKP-S2/185-M20		M20	19,0	24,0	42,0	21,0	39,0	21,5	19,0	76,5	20	~2,8 kg.	160	~22,4 kg	15,00
SKP-S2/240-M10		240	M10	21,0	26,0	45,0	10,5	39,0	16,5	16,5	79,0	15	~2,5 kg.	120	~20,0 kg
SKP-S2/240-M12/SD	M12		21,0	26,0	45,0	13,0	39,0	16,5	16,5	79,0	15	~2,3 kg.	120	~18,4 kg	16,25
SKP-S2/240-M16	M16		21,0	26,0	45,0	17,0	39,0	16,5	16,5	79,0	15	~2,4 kg.	120	~19,2 kg	16,25
SKP-S2/240-M20	M20		21,0	26,0	45,0	21,0	39,0	21,5	19,0	82,0	15	~2,4 kg.	120	~19,2 kg	17,00
SKP-S2/300-M12	300		M12	23,5	29,5	56,0	13,0	43,0	24,0	24,0	99,0	8	~2,2 kg.	64	~17,6 kg
SKP-S2/300-M16		M16	23,5	29,5	56,0	17,0	43,0	24,0	24,0	99,0	8	~2,1 kg.	64	~16,8 kg	31,50
SKP-S2/300-M20/SD		M20	23,5	29,5	56,0	21,0	43,0	24,0	24,0	99,0	8	~2,1 kg.	64	~16,8 kg	31,50
SKP-S2/400-M12	400	M12	27,0	34,0	60,0	13,0	49,0	24,0	24,0	106,0	6	~2,3 kg.	48	18,4 kg	46,00
SKP-S2/400-M16		M16	27,0	34,0	60,0	17,0	49,0	24,0	24,0	106,0	6	~2,3 kg.	48	18,4 kg	46,00
SKP-S2/400-M20/SD		M20	27,0	34,0	60,0	21,0	49,0	24,0	24,0	106,0	6	~2,2 kg.	48	17,6 kg	46,00

SKP-S2 Özellikleri

Hammadde Material	: EN 13600 Bakır Boru Electrolytic Copper Conformed To EN 13600
Kaplama Coating	: Kalay Tin Plated
Bağlantı Joint	: Sıkma Clamp Coupling
Boru Et Kalınlığı Thickness	: Çok Kalın Very Thick
Kablo Girişi Cable Entry	: Uzun Long



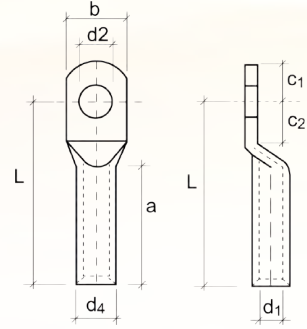
Bu tabloda koyu yazı karakteri ile belirtilmiş olan kablo pabuçları standart üretimimizdir.
The cable lugs which are indicated in bolt font, are standart products of **Simpa**

SKP-S3

SIKMALI KABLO PABUCU LONGER BARREL TUBULAR CABLE LUGS



*5846 sayılı yasa gereği fotoğrafların izinsiz yayınlanması ve kullanılması kesinlikle yasaktır.



ÜRÜN KODU Order Code	KABLO KESİTİ Cable Section (mm ²)	CIVATA DELİĞİ Bolt	BOYUTLAR Dimensions								KUTU ADEDİ Box Pcs.	KUTU AĞIRLIĞI Box Weight	KOLİ ADEDİ Parcel Pcs.	KOLİ AĞIRLIĞI Box Weight	BİRİM FİYATI Unit Price TL
			d1	d4	a	d2	b	c1	c2	L					
SKP-S3/025-M05	25	M5	7,0	10,0	40,0	5,5	14,0	7,5	7,5	55,0	125	~2,7 kg.	750	16,2 kg	3,00
SKP-S3/025-M06		M6	7,0	10,0	40,0	6,5	14,0	7,5	7,5	55,0	125	~2,6 kg.	750	15,6 kg	3,00
SKP-S3/025-M08/SD		M8	7,0	10,0	40,0	8,4	16,0	10,0	10,0	57,0	125	~2,8 kg.	750	16,8 kg	3,00
SKP-S3/025-M10		M10	7,0	10,0	40,0	10,5	18,0	12,0	12,0	59,0	125	~2,9 kg.	750	17,4 kg	3,25
SKP-S3/025-M12		M12	7,0	10,0	40,0	13,0	19,0	13,0	13,0	60,0	125	~2,9 kg.	750	17,4 kg	4,00
SKP-S3/025-M14		M14	7,0	10,0	40,0	15,0	21,0	14,5	14,5	63,0	125	~3,0 kg.	750	18,0 kg	4,75
SKP-S3/035-M06	35	M6	8,5	12,0	40,0	6,5	17,0	7,5	7,5	55,0	80	~2,4 kg.	480	14,4 kg	5,00
SKP-S3/035-M08/SD		M8	8,5	12,0	40,0	8,4	17,0	10,0	10,0	57,0	80	~2,4 kg.	480	14,4 kg	5,00
SKP-S3/035-M10		M10	8,5	12,0	40,0	10,5	19,0	12,0	12,0	60,0	80	~2,7 kg.	480	16,2 kg	5,25
SKP-S3/035-M12		M12	8,5	12,0	40,0	13,0	21,0	13,0	13,0	61,0	80	~2,7 kg.	480	16,2 kg	5,50
SKP-S3/035-M14		M14	8,5	12,0	40,0	15,0	21,0	14,5	14,5	63,0	80	~2,7 kg.	480	16,2 kg	6,25
SKP-S3/035-M16		M16	8,5	12,0	40,0	17,0	26,0	16,0	16,0	65,0	80	~2,8 kg.	480	16,8 kg	7,00
SKP-S3/050-M06	50	M6	10,0	14,0	50,0	6,5	20,0	10,0	10,0	68,0	50	~2,6 kg.	300	15,6 kg	8,00
SKP-S3/050-M08		M8	10,0	14,0	50,0	8,5	20,0	10,0	10,0	68,0	50	~2,5 kg.	300	15,0 kg	8,00
SKP-S3/050-M10/SD		M10	10,0	14,0	50,0	10,5	20,0	12,0	12,0	70,0	50	~2,6 kg.	300	15,6 kg	8,00
SKP-S3/050-M12		M12	10,0	14,0	50,0	13,0	23,0	13,0	13,0	74,0	50	~2,7 kg.	300	16,2 kg	8,50
SKP-S3/050-M14		M14	10,0	14,0	50,0	15,0	23,0	14,5	14,5	76,0	50	~2,7 kg.	300	16,2 kg	9,00
SKP-S3/050-M16		M16	10,0	14,0	50,0	17,0	28,0	16,0	16,0	77,0	50	~2,8 kg.	300	16,8 kg	9,50
SKP-S3/050-M20	M20	10,0	14,0	50,0	21,0	30,0	19,0	19,0	79,0	50	~2,8 kg.	300	16,8 kg	10,50	
SKP-S3/070-M06	70	M6	12,0	16,5	50,0	6,5	23,0	10,0	10,0	72,0	40	~2,9 kg.	240	17,4 kg	9,00
SKP-S3/070-M08		M8	12,0	16,5	50,0	8,5	23,0	10,0	10,0	72,0	40	~2,9 kg.	240	17,4 kg	9,00
SKP-S3/070-M10/SD		M10	12,0	16,5	50,0	10,5	23,0	12,0	12,0	73,0	40	~2,9 kg.	240	17,4 kg	9,00
SKP-S3/070-M12		M12	12,0	16,5	50,0	13,0	23,0	13,0	13,0	75,0	40	~3,0 kg.	240	18,0 kg	9,00
SKP-S3/070-M14		M14	12,0	16,5	50,0	15,0	23,0	14,5	14,5	77,0	40	~3,0 kg.	240	18,0 kg	9,50
SKP-S3/070-M16		M16	12,0	16,5	50,0	17,0	28,0	16,0	16,0	79,0	40	~3,1 kg.	240	18,6 kg	10,00
SKP-S3/070-M20	M20	12,0	16,5	50,0	21,0	30,0	19,0	19,0	82,0	40	~3,1 kg.	240	18,6 kg	10,50	
SKP-S3/095-M08	95	M8	13,5	18,0	50,0	8,5	26,0	12,0	12,0	73,0	30	~2,5 kg.	180	15,0 kg	11,00
SKP-S3/095-M10		M10	13,5	18,0	50,0	10,5	26,0	12,0	12,0	73,0	30	~2,5 kg.	180	15,0 kg	11,00
SKP-S3/095-M12/SD		M12	13,5	18,0	50,0	13,0	26,0	13,0	13,0	74,0	30	~2,5 kg.	180	15,0 kg	11,00
SKP-S3/095-M14		M14	13,5	18,0	50,0	15,0	26,0	14,5	14,5	76,0	30	~2,6 kg.	180	15,6 kg	11,50
SKP-S3/095-M16		M16	13,5	18,0	50,0	17,0	28,0	16,0	16,0	79,0	30	~2,7 kg.	180	16,2 kg	12,00
SKP-S3/095-M20		M20	13,5	18,0	50,0	21,0	36,0	22,0	22,0	85,0	30	~2,8 kg.	180	16,8 kg	13,00

ÜRÜN KODU Order Code	KABLO KESİTİ Cable Section (mm ²)	CIVATA DELİĞİ Bolt	BOYUTLAR Dimensions								KUTU ADEDİ Box Pcs.	KUTU AĞIRLIĞI Box Weight	KOLİ ADEDİ Parcel Pcs.	KOLİ AĞIRLIĞI Box Weight	BİRİM FİYATI Unit Price TL
			d1	d4	a	d2	b	c1	c2	L					
SKP-S3/120-M08	120	M8	15,0	19,5	60,0	8,5	28,0	14,0	14,0	85,0	25	~2,6 kg.	150	15,6 kg	12,25
SKP-S3/120-M10		M10	15,0	19,5	60,0	10,5	28,0	14,0	14,0	85,0	25	~2,6 kg.	150	15,6 kg	12,25
SKP-S3/120-M12/SD		M12	15,0	19,5	60,0	13,0	28,0	14,0	14,0	85,0	25	~2,6 kg.	150	15,6 kg	12,25
SKP-S3/120-M14		M14	15,0	19,5	60,0	15,0	28,0	15,0	15,0	86,0	25	~2,6 kg.	150	15,6 kg	13,00
SKP-S3/120-M16		M16	15,0	19,5	60,0	17,0	30,0	16,0	16,0	88,0	25	~2,7 kg.	150	16,2 kg	13,50
SKP-S3/120-M20		M20	15,0	19,5	60,0	21,0	36,0	22,0	22,0	97,0	25	~2,9 kg.	150	17,4 kg	14,50
SKP-S3/150-M08	150	M8	16,5	21,0	60,0	8,5	31,0	14,0	14,0	86,0	20	~2,3 kg.	120	13,8 kg	13,75
SKP-S3/150-M10		M10	16,5	21,0	60,0	10,5	31,0	14,0	14,0	86,0	20	~2,3 kg.	120	13,8 kg	13,75
SKP-S3/150-M12/SD		M12	16,5	21,0	60,0	13,0	31,0	15,0	15,0	87,0	20	~2,3 kg.	120	13,8 kg	13,75
SKP-S3/150-M14		M14	16,5	21,0	60,0	15,0	31,0	15,0	15,0	87,0	20	~2,3 kg.	120	13,8 kg	14,25
SKP-S3/150-M16		M16	16,5	21,0	60,0	17,0	31,0	16,0	16,0	88,0	20	~2,3 kg.	120	13,8 kg	14,75
SKP-S3/150-M20		M20	16,5	21,0	60,0	21,0	36,0	22,0	22,0	96,0	20	~2,5 kg.	120	15,0 kg	15,75
SKP-S3/185-M10	185	M10	19,0	24,0	60,0	10,5	35,0	16,0	16,0	92,0	12	~2,0 kg.	72	12,0 kg	18,50
SKP-S3/185-M12/SD		M12	19,0	24,0	60,0	13,0	35,0	16,0	16,0	92,0	12	~2,0 kg.	72	12,0 kg	18,50
SKP-S3/185-M14		M14	19,0	24,0	60,0	15,0	35,0	16,0	16,0	92,0	12	~2,0 kg.	72	12,0 kg	18,50
SKP-S3/185-M16		M16	19,0	24,0	60,0	17,0	35,0	16,0	16,0	92,0	12	~1,9 kg.	72	11,4 kg	18,50
SKP-S3/185-M20		M20	19,0	24,0	60,0	21,0	39,0	21,5	19,0	96,0	12	~2,0 kg.	72	12,0 kg	19,50
SKP-S3/240-M10	240	M10	21,0	26,0	60,0	10,5	39,0	16,5	16,5	94,0	12	~2,3 kg.	72	13,8 kg	20,00
SKP-S3/240-M12/SD		M12	21,0	26,0	60,0	13,0	39,0	16,5	16,5	94,0	12	~2,2 kg.	72	13,2 kg	20,00
SKP-S3/240-M14		M14	21,0	26,0	60,0	15,0	39,0	16,5	16,5	94,0	12	~2,1 kg.	72	12,6 kg	20,00
SKP-S3/240-M16		M16	21,0	26,0	60,0	17,0	39,0	16,5	16,5	94,0	12	~2,1 kg.	72	12,6 kg	20,00
SKP-S3/240-M20		M20	21,0	26,0	60,0	21,0	39,0	21,5	19,0	97,0	12	~2,2 kg.	72	13,2 kg	21,00

SKP-S3 Özellikleri

Hammadde	: EN 13600 Bakır Boru
Material	: Electrolytic Copper Conformed To EN 13600
Kaplama	: Kalay
Coating	: Tin Plated
Bağlantı	: Sıkma
Joint	: Clamp Coupling
Boru Et Kalınlığı	: Çok Kalın
Thickness	: Very Thick
Kablo Girişi	: Çok Uzun
Cable Entry	: Very Long



Bu tabloda koyu yazı karakteri ile belirtilmiş olan kablo pabuçları standart üretimimizdir.

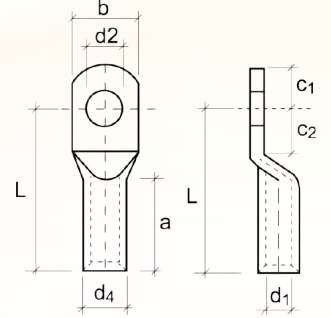
The cable lugs which are indicated in bold font, are standart products of **Simpa®**

SKP-D DIN 46235 TİP SIKMALI KABLO PABUCU

DIN 46235 TYPE TUBULAR CABLE LUGS



*5846 sayılı yasa gereği fotoğrafların izinsiz yayınlanması ve kullanılması kesinlikle yasaktır.



ÜRÜN KODU Order Code	KABLO KESİTİ Cable Section (mm ²)	CIVATA DELİĞİ Bolt	BOYUTLAR Dimensions									KUTU ADEDİ Box Pcs.	KUTU AĞIRLIĞI Box Weight	KOLİ ADEDİ Parcel Pcs.	KOLİ AĞIRLIĞI Box Weight	BİRİM FİYATI Unit Price TL
			d1	d4	a	d2	b	c1	c2	L						
SKP-D/006-M05	6	M5	3,8	5,5	10,0	5,3	8,5	6,5	7,5	24,0	600	~1,9 kg.	3.600	~11,4 kg	0,75	
SKP-D/006-M06/SD		M6	3,8	5,5	10,0	6,4	8,5	7,5	8,0	24,0	600	~1,8 kg.	3.600	~10,8 kg	0,75	
SKP-D/006-M08		M8	3,8	5,5	10,0	8,4	13,0	10,0	10,0	24,0	600	~1,9 kg.	3.600	~11,4 kg	0,75	
SKP-D/010-M05	10	M5	4,5	6,0	10,0	5,3	9,0	7,0	8,5	27,0	500	~1,8 kg.	3.000	~10,8 kg	0,75	
SKP-D/010-M06/SD		M6	4,5	6,0	10,0	6,4	9,0	7,5	8,5	27,0	500	~1,7 kg.	3.000	~10,2 kg	0,75	
SKP-D/010-M08		M8	4,5	6,0	10,0	8,4	13,0	10,0	10,0	27,0	500	~1,8 kg.	3.000	~10,8 kg	0,80	
SKP-D/016-M06	16	M6	5,5	8,5	20,0	6,4	13,0	7,5	8,0	36,0	200	~2,4 kg.	1.200	~14,4 kg	1,50	
SKP-D/016-M08/SD		M8	5,5	8,5	20,0	8,4	13,0	10,0	10,0	36,0	200	~2,4 kg.	1.200	~14,4 kg	1,55	
SKP-D/016-M10		M10	5,5	8,5	20,0	10,5	17,0	12,0	12,0	36,0	200	~2,4 kg.	1.200	~14,4 kg	1,60	
SKP-D/016-M12		M12	5,5	8,5	20,0	13,0	18,0	13,0	13,0	36,0	200	~2,4 kg.	1.200	~14,4 kg	1,80	
SKP-D/025-M06	25	M6	7,0	10,0	20,0	6,4	14,0	7,5	8,0	38,0	175	~2,6 kg.	1.050	~15,6 kg	2,25	
SKP-D/025-M08/SD		M8	7,0	10,0	20,0	8,4	16,0	10,0	10,0	38,0	175	~2,7 kg.	1.050	~16,2 kg	2,20	
SKP-D/025-M10		M10	7,0	10,0	20,0	10,5	17,0	12,0	12,0	38,0	175	~2,7 kg.	1.050	~16,2 kg	2,25	
SKP-D/025-M12		M12	7,0	10,0	20,0	13,0	19,0	13,0	13,0	38,0	150	~2,3 kg.	900	~13,8 kg	2,40	
SKP-D/035-M06	35	M6	8,2	12,5	20,0	6,4	17,0	7,5	8,0	42,0	100	~2,8 kg.	600	~16,8 kg	3,90	
SKP-D/035-M08		M8	8,2	12,5	20,0	8,4	17,0	10,0	10,0	42,0	100	~2,8 kg.	600	~16,8 kg	3,90	
SKP-D/035-M10/SD		M10	8,2	12,5	20,0	10,5	19,0	12,0	12,0	42,0	100	~3,0 kg.	600	~18,0 kg	3,90	
SKP-D/035-M12		M12	8,2	12,5	20,0	13,0	21,0	13,0	13,0	42,0	100	~2,8 kg.	600	~16,8 kg	3,90	
SKP-D/035-M14		M14	8,2	12,5	20,0	15,0	21,0	14,5	14,5	42,0	100	~2,6 kg.	600	~15,6 kg	4,05	
SKP-D/050-M08	50	M8	10,0	14,5	28,0	8,4	20,0	10,0	10,0	52,0	60	~2,7 kg.	360	~16,2 kg	6,00	
SKP-D/050-M10/SD		M10	10,0	14,5	28,0	10,5	22,0	12,0	12,0	52,0	60	~2,7 kg.	360	~16,2 kg	6,00	
SKP-D/050-M12		M12	10,0	14,5	28,0	13,0	24,0	13,0	13,0	52,0	60	~2,7 kg.	360	~16,2 kg	6,10	
SKP-D/050-M14		M14	10,0	14,5	28,0	15,0	24,0	14,5	14,5	52,0	60	~2,7 kg.	360	~16,2 kg	6,40	
SKP-D/050-M16		M16	10,0	14,5	28,0	17,0	28,0	16,0	16,0	52,0	60	~2,7 kg.	360	~16,2 kg	6,55	
SKP-D/070-M08	70	M8	11,5	16,5	28,0	8,4	24,0	10,0	10,0	55,0	50	~3,0 kg.	300	~18,0 kg	7,80	
SKP-D/070-M10/SD		M10	11,5	16,5	28,0	10,5	24,0	12,0	12,0	55,0	50	~3,1 kg.	300	~18,6 kg	7,80	
SKP-D/070-M12		M12	11,5	16,5	28,0	13,0	24,0	13,0	13,0	55,0	50	~3,0 kg.	300	~18,0 kg	7,80	
SKP-D/070-M14		M14	11,5	16,5	28,0	15,0	24,0	14,5	14,5	55,0	50	~3,0 kg.	300	~18,0 kg	8,00	
SKP-D/070-M16		M16	11,5	16,5	28,0	17,0	30,0	16,0	16,0	55,0	50	~3,0 kg.	300	~18,0 kg	8,15	
SKP-D/095-M08	95	M8	13,5	19,0	35,0	8,4	28,0	12,0	12,0	65,0	35	~3,2 kg.	210	~19,2 kg	9,30	
SKP-D/095-M10		M10	13,5	19,0	35,0	10,5	28,0	12,0	12,0	65,0	35	~3,2 kg.	210	~19,2 kg	9,15	
SKP-D/095-M12/SD		M12	13,5	19,0	35,0	13,0	28,0	13,0	13,0	65,0	35	~3,1 kg.	210	~18,6 kg	9,15	
SKP-D/095-M14		M14	13,5	19,0	35,0	15,0	28,0	14,5	14,5	65,0	35	~3,2 kg.	210	~19,2 kg	9,15	
SKP-D/095-M16		M16	13,5	19,0	35,0	17,0	32,0	16,0	16,0	65,0	35	~3,2 kg.	210	~19,2 kg	9,15	

ÜRÜN KODU Order Code	KABLO KESİTİ Cable Section (mm ²)	CIVATA DELİĞİ Bolt	BOYUTLAR Dimensions							KUTU ADEĐİ Box Pcs.	KUTU AĞIRLIĞI Box Weight	KOLİ ADEĐİ Parcel Pcs.	KOLİ AĞIRLIĞI Box Weight	BİRİM FİYATI Unit Price TL	
			d1	d4	a	d2	b	c1	c2						L
SKP-D/120-M10	120	M10	15,5	21,0	35,0	10,5	32,0	15,0	16,0	70,0	30	~3,4 kg.	180	~20,4 kg	11,00
SKP-D/120-M12/SD		M12	15,5	21,0	35,0	13,0	32,0	16,0	17,0	70,0	30	~3,4 kg.	180	~20,4 kg	11,00
SKP-D/120-M14		M14	15,5	21,0	35,0	15,0	32,0	18,0	19,0	70,0	30	~3,4 kg.	180	~20,4 kg	11,25
SKP-D/120-M16		M16	15,5	21,0	35,0	17,0	32,0	19,0	20,0	70,0	30	~3,4 kg.	180	~20,4 kg	11,50
SKP-D/120-M20		M20	15,5	21,0	35,0	21,0	38,0	21,0	22,0	70,0	30	~3,4 kg.	180	~20,4 kg	11,50
SKP-D/150-M10	150	M10	17,0	23,5	35,0	10,5	34,0	15,0	16,0	78,0	15	~2,5 kg.	90	~15,0 kg	16,00
SKP-D/150-M12/SD		M12	17,0	23,5	35,0	13,0	34,0	16,0	17,0	78,0	15	~2,5 kg.	90	~15,0 kg	16,00
SKP-D/150-M14		M14	17,0	23,5	35,0	15,0	34,0	19,0	20,0	78,0	15	~2,5 kg.	90	~15,0 kg	16,50
SKP-D/150-M16		M16	17,0	23,5	35,0	17,0	34,0	19,0	20,0	78,0	15	~2,5 kg.	90	~15,0 kg	16,50
SKP-D/150-M20		M20	17,0	23,5	35,0	21,0	40,0	21,0	22,0	78,0	15	~2,4 kg.	90	~14,4 kg	17,50
SKP-D/185-M10	185	M10	19,0	25,5	40,0	10,5	37,0	15,0	16,0	82,0	12	~2,3 kg.	72	~13,8 kg	18,50
SKP-D/185-M12/SD		M12	19,0	25,5	40,0	13,0	37,0	16,0	17,0	82,0	12	~2,3 kg.	72	~13,8 kg	18,50
SKP-D/185-M14		M14	19,0	25,5	40,0	15,0	37,0	19,0	20,0	82,0	12	~2,3 kg.	72	~13,8 kg	20,00
SKP-D/185-M16		M16	19,0	25,5	40,0	17,0	37,0	19,0	20,0	82,0	12	~2,3 kg.	72	~13,8 kg	20,00
SKP-D/185-M20		M20	19,0	25,5	40,0	21,0	40,0	21,0	22,0	82,0	12	~2,2 kg.	72	~13,2 kg	20,50
SKP-D/240-M12/SD	240	M12	21,5	29,0	40,0	13,0	42,0	16,0	17,0	92,0	8	~2,2 kg.	48	~13,2 kg	27,00
SKP-D/240-M14		M14	21,5	29,0	40,0	15,0	42,0	19,0	20,0	92,0	8	~2,3 kg.	48	~13,8 kg	27,25
SKP-D/240-M16		M16	21,5	29,0	40,0	17,0	42,0	19,0	20,0	92,0	8	~2,2 kg.	48	~13,2 kg	27,50
SKP-D/240-M20		M20	21,5	29,0	40,0	21,0	45,0	21,0	22,0	92,0	8	~2,2 kg.	48	~13,2 kg	28,00
SKP-D/300-M14	300	M14	24,5	32,0	50,0	15,0	48,0	19,0	22,0	100,0	8	~2,7 kg.	48	~16,2 kg	35,00
SKP-D/300-M16/SD		M16	24,5	32,0	50,0	17,0	48,0	19,0	22,0	100,0	8	~2,7 kg.	48	~16,2 kg	35,00
SKP-D/300-M20		M20	24,5	32,0	50,0	21,0	48,0	22,0	22,0	100,0	8	~2,7 kg.	48	~16,2 kg	35,00
SKP-D/400-M14	400	M14	27,5	38,5	70,0	15,0	55,0	25,0	25,0	115,0	5	~3,4 kg.	30	~20,4 kg	65,00
SKP-D/400-M16/SD		M16	27,5	38,5	70,0	17,0	55,0	25,0	25,0	115,0	5	~3,3 kg.	30	~19,8 kg	65,00
SKP-D/400-M20		M20	27,5	38,5	70,0	21,0	55,0	25,0	25,0	115,0	5	~3,2 kg.	30	~19,2 kg	65,00
SKP-D/500-M16	500	M16	31,0	42,0	70,0	17,0	60,0	25,0	25,0	125,0	4	~3,4 kg.	24	~20,4 kg	77,00
SKP-D/500-M20/SD		M20	31,0	42,0	70,0	21,0	60,0	25,0	25,0	125,0	4	~3,3 kg.	24	~19,8 kg	77,00
SKP-D/625-M16	625	M16	34,5	44,0	80,0	17,0	60,0	25,0	25,0	135,0	3	~2,6 kg.	18	~15,6 kg	90,00
SKP-D/625-M20/SD		M20	34,5	44,0	80,0	21,0	60,0	25,0	25,0	135,0	3	~2,5 kg.	18	~15,0 kg	90,00
SKP-D/800-M16	800	M16	40,0	52,0	100,0	17,0	75,0	30,0	30,0	165,0	4	~6,2 kg.	24	~37,2 kg	200,00
SKP-D/800-M20/SD		M20	40,0	52,0	100,0	21,0	75,0	30,0	30,0	165,0	4	~6,0 kg.	24	~36,0 kg	200,00
SKP-D/1000-M16	1000	M16	44,0	58,0	100,0	17,0	85,0	30,0	30,0	165,0	4	~8,0 kg.	24	~48,0 kg	245,00
SKP-D/1000-M20/SD		M20	44,0	58,0	100,0	21,0	85,0	30,0	30,0	165,0	4	~7,4 kg.	24	~44,4 kg	245,00

SKP-D Özellikleri

Ham madde	: EN 13600 Bakır Boru
Material	: Electrolytic Copper Conformed To EN 13600
Kaplama	: Kalay
Coating	: Tin Plated
Bağlantı	: Sıkma
Joint	: Clamp Coupling

DIN Normu 46235'e uygundur.

Conformed to DIN 46235



Bu tabloda koyu yazı karakteri ile belirtilmiş olan kablo pabuçları standart üretimimizdir.

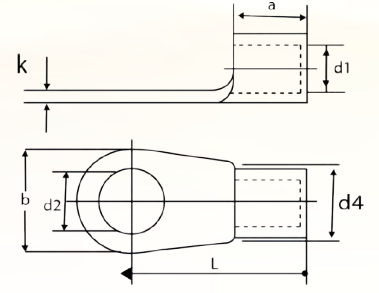
The cable lugs which are indicated in bolt font, are standart products of **Simpa**

SKP-D1 KAYNAKLI TİP KABLO PABUCU DIN 46234

DIN 46234 TYPE CABLE LUGS



*5846 sayılı yasa gereği fotoğrafların izinsiz yayınlanması ve kullanılması kesinlikle yasaktır.



ÜRÜN KODU Order Code	KABLO KESİTİ Cable Section (mm ²)	CIVATA DELİĞİ Bolt	BOYUTLAR Dimensions							KUTU ADEĐİ Box Pcs.	KUTU AĞIRLIĐI Box Weight	KOLİ ADEĐİ Parcel Pcs.	KOLİ AĞIRLIĐI Box Weight	BİRİM FİYATI Unit Price TL
			d1	d4	a	d2	b	L	k					
SKP-D1/001.5-M03	1,5	M3	1,6	4,0	5,0	3,2	6,0	11,0	0,8	1.000	0,6 kg	6000	~3,6 kg	0,13
SKP-D1/001.5-M04		M4	1,6	4,0	5,0	4,3	8,0	12,0	0,8	1.000	0,7 kg	6000	~4,2 kg	0,15
SKP-D1/001.5-M05		M5	1,6	4,0	5,0	5,3	10,0	13,0	0,8	1.000	0,8 kg	6000	~4,8 kg	0,16
SKP-D1/001.5-M06		M6	1,6	4,0	5,0	6,5	11,0	15,0	0,8	1.000	0,7 kg	6000	~4,2 kg	0,19
SKP-D1/002.5-M03	2,5	M3	2,3	4,5	5,0	3,2	6,0	11,0	0,8	1.000	0,7 kg	6000	~4,2 kg	0,12
SKP-D1/002.5-M04		M4	2,3	4,5	5,0	4,3	8,0	12,0	0,8	1.000	0,8 kg	6000	~4,8 kg	0,15
SKP-D1/002.5-M05		M5	2,3	4,5	5,0	5,3	10,0	14,0	0,8	1.000	1,0 kg	6000	~6,0 kg	0,15
SKP-D1/002.5-M06		M6	2,3	4,5	5,0	6,5	11,0	16,0	0,8	1.000	1,1 kg	6000	~6,6 kg	0,19
SKP-D1/002.5-M08		M8	2,3	4,5	5,0	8,4	14,0	17,0	0,8	1.000	1,3 kg	6000	~7,8 kg	0,27
SKP-D1/006-M04	6	M4	3,6	6,0	6,0	4,3	8,0	14,0	1,0	1.000	1,4 kg	6000	~8,4 kg	0,30
SKP-D1/006-M05		M5	3,6	6,0	6,0	5,3	10,0	15,0	1,0	1.000	1,6 kg	6000	~9,6 kg	0,30
SKP-D1/006-M06		M6	3,6	6,0	6,0	6,5	11,0	16,0	1,0	1.000	1,7 kg	6000	~10,2 kg	0,30
SKP-D1/006-M08		M8	3,6	6,0	6,0	8,4	14,0	19,0	1,0	500	1,1 kg	3000	~6,6 kg	0,41
SKP-D1/006-M10		M10	3,6	6,0	6,0	10,5	18,0	21,0	1,0	500	1,4 kg	3000	~8,4 kg	0,47
SKP-D1/006-M12		M12	3,6	6,0	6,0	13,0	18,0	21,0	1,0	500	1,4 kg	3000	~8,4 kg	0,57
SKP-D1/010-M05	10	M5	4,5	8,0	8,0	5,3	10,0	16,0	1,1	500	1,2 kg	3000	~7,2 kg	0,51
SKP-D1/010-M06		M6	4,5	8,0	8,0	6,5	11,0	17,0	1,1	500	1,3 kg	3000	~7,8 kg	0,53
SKP-D1/010-M08		M8	4,5	8,0	8,0	8,4	14,0	20,0	1,1	500	1,5 kg	3000	~9,0 kg	0,61
SKP-D1/010-M10		M10	4,5	8,0	8,0	10,5	18,0	21,0	1,1	500	1,8 kg	3000	~10,8 kg	0,73
SKP-D1/010-M12		M12	4,5	8,0	8,0	13,0	22,0	23,0	1,1	250	1,1 kg	1500	~6,6 kg	0,90
SKP-D1/016-M05	16	M5	5,8	10,5	10,0	5,3	11,0	20,0	1,2	500	1,9 kg	3000	~11,4 kg	0,80
SKP-D1/016-M06		M6	5,8	10,5	10,0	6,5	11,0	20,0	1,2	500	2,0 kg	3000	~12,0 kg	0,82
SKP-D1/016-M08		M8	5,8	10,5	10,0	8,4	14,0	22,0	1,2	250	1,1 kg	1500	~6,6 kg	0,88
SKP-D1/016-M10		M10	5,8	10,5	10,0	10,5	18,0	24,0	1,2	250	1,3 kg	1500	~7,5 kg	1,00
SKP-D1/016-M12		M12	5,8	10,5	10,0	13,0	22,0	26,0	1,2	200	1,2 kg	1200	~7,2 kg	1,10
SKP-D1/025-M05	25	M5	7,5	12,0	11,0	5,3	12,0	25,0	1,5	200	1,4 kg	1200	~8,4 kg	1,25
SKP-D1/025-M06		M6	7,5	12,0	11,0	6,5	12,0	25,0	1,5	200	1,2 kg	1200	~7,2 kg	1,25
SKP-D1/025-M08		M8	7,5	12,0	11,0	8,4	16,0	25,0	1,5	200	1,6 kg	1200	~9,6 kg	1,25
SKP-D1/025-M10		M10	7,5	12,0	11,0	10,5	18,0	26,0	1,5	200	1,7 kg	1200	~10,2 kg	1,50
SKP-D1/025-M12		M12	7,5	12,0	11,0	13,0	22,0	31,0	1,5	100	1,0 kg	600	~6,0 kg	1,75
SKP-D1/025-M14		M14	7,5	12,0	11,0	15,0	22,0	35,0	1,5	100	0,9 kg	600	~5,4 kg	2,00
SKP-D1/025-M16	M16	7,5	12,0	11,0	17,0	28,0	35,0	1,5	100	0,9 kg	600	~5,4 kg	2,00	

ÜRÜN KODU Order Code	KABLO KESİTİ Cable Section (mm ²)	CIVATA DELİĞİ Bolt	BOYUTLAR Dimensions							KUTU ADEDİ Box Pcs.	KUTU AĞIRLIĞI Box Weight	KOLİ ADEDİ Parcel Pcs.	KOLİ AĞIRLIĞI Box Weight	BİRİM FİYATI Unit Price TL
			d1	d4	a	d2	b	L	k					
SKP-D1/035-M06	35	M6	9,0	15,0	12,0	6,5	15,0	26,0	1,6	200	2,0 kg	1200	~12,0 kg	1,75
SKP-D1/035-M08		M8	9,0	15,0	12,0	8,4	16,0	26,0	1,6	200	2,0 kg	1200	~12,0 kg	2,00
SKP-D1/035-M10		M10	9,0	15,0	12,0	10,5	18,0	27,0	1,6	100	1,0 kg	600	~6,0 kg	2,00
SKP-D1/035-M12		M12	9,0	15,0	12,0	13,0	22,0	31,0	1,6	100	1,2 kg	600	~7,2 kg	2,25
SKP-D1/035-M14		M14	9,0	15,0	12,0	15,0	22,0	31,0	1,6	100	1,4 kg	600	~8,4 kg	2,75
SKP-D1/035-M16		M16	9,0	15,0	12,0	17,0	28,0	36,0	1,6	100	1,5 kg	600	~9,0 kg	2,75
SKP-D1/050-M06	50	M6	11,0	17,0	16,0	6,5	18,0	34,0	1,8	100	1,8 kg	600	~10,8 kg	3,25
SKP-D1/050-M08		M8	11,0	17,0	16,0	8,4	18,0	34,0	1,8	100	1,8 kg	600	~10,8 kg	3,25
SKP-D1/050-M10		M10	11,0	17,0	16,0	10,5	18,0	34,0	1,8	100	1,7 kg	600	~10,2 kg	3,25
SKP-D1/050-M12		M12	11,0	17,0	16,0	13,0	22,0	36,0	1,8	100	2,0 kg	600	~12,0 kg	3,50
SKP-D1/050-M14		M14	11,0	17,0	16,0	15,0	22,0	36,0	1,8	100	2,0 kg	600	~12,0 kg	4,75
SKP-D1/050-M16		M16	11,0	17,0	16,0	17,0	28,0	40,0	1,8	50	1,1 kg	300	~6,6 kg	4,75
SKP-D1/070-M06	70	M6	13,0	21,0	18,0	6,5	22,0	38,0	2,0	50	1,4 kg	300	~8,4 kg	4,50
SKP-D1/070-M08		M8	13,0	21,0	18,0	8,4	22,0	38,0	2,0	50	1,3 kg	300	~7,8 kg	4,50
SKP-D1/070-M10		M10	13,0	21,0	18,0	10,5	22,0	38,0	2,0	50	1,3 kg	300	~7,8 kg	4,75
SKP-D1/070-M12		M12	13,0	21,0	18,0	13,0	22,0	38,0	2,0	50	1,3 kg	300	~7,8 kg	4,75
SKP-D1/070-M14		M14	13,0	21,0	18,0	15,0	22,0	38,0	2,0	50	1,3 kg	300	~7,8 kg	5,00
SKP-D1/070-M16		M16	13,0	21,0	18,0	17,0	28,0	42,0	2,0	50	1,4 kg	300	~8,4 kg	5,00
SKP-D1/095-M08	95	M8	15,0	23,0	20,0	8,4	24,0	42,0	2,5	50	2,0 kg	300	~12,0 kg	6,75
SKP-D1/095-M10		M10	15,0	23,0	20,0	10,5	24,0	42,0	2,5	50	2,0 kg	300	~12,0 kg	6,75
SKP-D1/095-M12		M12	15,0	23,0	20,0	13,0	24,0	42,0	2,5	50	2,0 kg	300	~12,0 kg	6,75
SKP-D1/095-M14		M14	15,0	23,0	20,0	15,0	24,0	42,0	2,5	50	2,0 kg	300	~12,0 kg	7,00
SKP-D1/095-M16		M16	15,0	23,0	20,0	17,0	28,0	44,0	2,5	25	1,1 kg	150	~6,6 kg	7,00
SKP-D1/120-M08	120	M8	16,5	24,0	22,0	8,4	24,0	44,0	3,0	25	1,5 kg	150	~9,0 kg	9,25
SKP-D1/120-M10		M10	16,5	24,0	22,0	10,5	24,0	44,0	3,0	25	1,4 kg	150	~8,4 kg	9,25
SKP-D1/120-M12		M12	16,5	24,0	22,0	13,0	24,0	44,0	3,0	25	1,4 kg	150	~8,4 kg	9,25
SKP-D1/120-M14		M14	16,5	24,0	22,0	15,0	24,0	44,0	3,0	25	1,5 kg	150	~9,0 kg	10,50
SKP-D1/120-M16		M16	16,5	24,0	22,0	17,0	28,0	48,0	3,0	25	1,5 kg	150	~9,0 kg	10,50
SKP-D1/150-M10	150	M10	19,0	28,0	24,0	10,5	30,0	50,0	3,2	20	1,7 kg	120	~10,2 kg	16,00
SKP-D1/150-M12		M12	19,0	28,0	24,0	13,0	30,0	50,0	3,2	20	1,6 kg	120	~9,6 kg	16,00
SKP-D1/150-M14		M14	19,0	28,0	24,0	15,0	30,0	50,0	3,2	20	1,7 kg	120	~10,2 kg	16,00
SKP-D1/150-M16		M16	19,0	28,0	24,0	17,0	30,0	50,0	3,2	20	1,6 kg	120	~10,2 kg	16,00
SKP-D1/185-M10	185	M10	21,0	33,0	28,0	10,5	36,0	50,0	3,5	20	2,2 kg	120	~13,2 kg	21,25
SKP-D1/185-M12		M12	21,0	33,0	28,0	13,0	36,0	50,0	3,5	20	2,2 kg	120	~13,2 kg	21,25
SKP-D1/185-M14		M14	21,0	33,0	28,0	15,0	36,0	50,0	3,5	20	1,8 kg	120	~10,8 kg	21,25
SKP-D1/185-M16		M16	21,0	33,0	28,0	17,0	36,0	50,0	3,5	20	1,7 kg	120	~10,2 kg	21,25
SKP-D1/240-M10	240	M10	23,5	36,0	32,0	10,5	38,0	56,0	4,0	10	1,6 kg	60	~9,6 kg	29,00
SKP-D1/240-M12		M12	23,5	36,0	32,0	13,0	38,0	56,0	4,0	10	1,5 kg	60	~9,0 kg	29,00
SKP-D1/240-M14		M14	23,5	36,0	32,0	15,0	38,0	56,0	4,0	10	1,6 kg	60	~9,6 kg	29,00
SKP-D1/240-M16		M16	23,5	36,0	32,0	17,0	38,0	56,0	4,0	10	1,5 kg	60	~9,0 kg	29,00

SKP-D1 Özellikleri

Hammadde	: E-CU Şerit
Material	: E-CU Copper
Kaplama	: Kalay
Coating	: Tin Plated
Bağlantı	: Sıkma
Joint	: Clamp Coupling
Norm	: DIN 46234
Conformed to	: DIN 46234

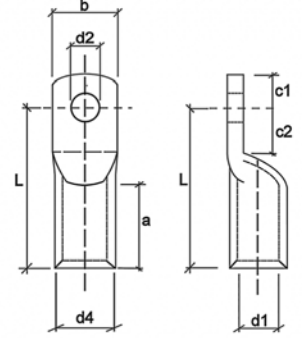


SKP-DG

SIKMALI KABLO PABUCU (DAR GİRİŞLİ ŞALT MALZEMELERİ İÇİN) TUBULAR CABLE LUGS (FOR SWITCH GEAR CONNECTIONS)



*5846 sayılı yasa gereği fotoğrafların izinsiz yayınlanması ve kullanılması kesinlikle yasaktır.



ÜRÜN KODU Order Code	KABLO KESİTİ Cable Section (mm ²)	CIVATA DELİĞİ Bolt	BOYUTLAR Dimensions								KUTU ADEDİ Box Pcs.	KUTU AĞIRLIĞI Box Weight	KOLİ ADEDİ Parcel Pcs.	KOLİ AĞIRLIĞI Box Weight	BİRİM FİYATI Unit Price TL
			d1	d4	a	d2	b	c1	c2	L					
SKP-DG/035-M06	35	M6	8,5	12,0	17,0	6,5	15,0	7,5	7,5	32,0	150	~2,7 kg.	900	~16,2 kg	3,00
SKP-DG/050-M06	50	M6	10,0	14,0	19,0	6,5	15,0	10,0	10,0	37,0	100	~2,9 kg.	600	~17,4 kg	4,75
SKP-DG/050-M08		M8	10,0	14,0	19,0	8,5	17,0	10,0	10,0	37,0	100	~2,8 kg.	600	~16,8 kg	4,75
SKP-DG/050-M10		M10	10,0	14,0	19,0	10,5	19,0	11,5	12,0	39,0	100	~3,1 kg.	600	~18,6 kg	4,75
SKP-DG/070-M06	70	M6	12,0	16,5	21,0	6,5	17,0	10,0	10,0	43,0	80	~3,4 kg.	480	~20,4 kg	6,50
SKP-DG/070-M08		M8	12,0	16,5	21,0	8,5	17,0	10,0	10,0	43,0	80	~3,3 kg.	480	~19,8 kg	6,50
SKP-DG/070-M10		M10	12,0	16,5	21,0	10,5	19,0	11,5	12,0	44,0	80	~3,6 kg.	480	~21,6 kg	6,50
SKP-DG/070-M12		M12	12,0	16,5	21,0	13,0	19,0	13,0	13,0	46,0	80	~3,4 kg.	480	~20,4 kg	7,80
SKP-DG/095-M06	95	M6	13,5	18,0	25,0	6,5	19,0	11,5	12,0	48,0	60	~3,3 kg.	360	~19,8 kg	8,50
SKP-DG/095-M08		M8	13,5	18,0	25,0	8,5	19,0	11,5	12,0	48,0	60	~3,3 kg.	360	~19,8 kg	8,50
SKP-DG/095-M10		M10	13,5	18,0	25,0	10,5	19,0	11,5	12,0	48,0	60	~3,1 kg.	360	~18,6 kg	8,50
SKP-DG/095-M12		M12	13,5	18,0	25,0	13,0	19,0	13,0	13,0	49,0	60	~3,1 kg.	360	~18,6 kg	8,50
SKP-DG/120-M06	120	M6	15,0	19,5	26,0	6,5	19,0	11,5	14,0	51,0	50	~3,1 kg.	300	~18,6 kg	9,50
SKP-DG/120-M08		M8	15,0	19,5	26,0	8,5	19,0	11,5	14,0	51,0	50	~3,0 kg.	300	~18,0 kg	9,50
SKP-DG/120-M10		M10	15,0	19,5	26,0	10,5	19,0	11,5	14,0	51,0	50	~2,9 kg.	300	~17,4 kg	9,50
SKP-DG/120-M12		M12	15,0	19,5	26,0	13,0	19,0	14,0	14,0	51,0	50	~3,0 kg.	300	~18,0 kg	9,50
SKP-DG/150-M06	150	M6	16,5	21,0	30,0	6,5	19,0	11,5	14,0	56,0	40	~2,7 kg.	240	~16,2 kg	12,50
SKP-DG/150-M08		M8	16,5	21,0	30,0	8,5	19,0	11,5	14,0	56,0	40	~2,7 kg.	240	~16,2 kg	12,50
SKP-DG/150-M10		M10	16,5	21,0	30,0	10,5	19,0	11,5	14,0	56,0	40	~2,7 kg.	240	~16,2 kg	12,50
SKP-DG/150-M12		M12	16,5	21,0	30,0	13,0	19,0	15,0	15,0	57,0	40	~2,9 kg.	240	~17,4 kg	12,50
SKP-DG/185-M10	185	M10	19,0	24,0	30,0	10,5	24,5	11,5	18,0	65,0	25	~2,7 kg.	150	~16,2 kg	18,00
SKP-DG/185-M12		M12	19,0	24,0	30,0	13,0	31,0	18,0	18,0	65,0	25	~2,8 kg.	150	~16,8 kg	18,00
SKP-DG/185-M16		M16	19,0	24,0	30,0	17,0	31,0	18,0	18,0	65,0	25	~2,4 kg.	150	~14,4 kg	18,00
SKP-DG/240-M10	240	M10	21,0	26,0	35,0	10,5	31,0	11,5	19,0	72,0	20	~2,5 kg.	120	~15,0 kg	23,00
SKP-DG/240-M12		M12	21,0	26,0	35,0	13,0	31,0	21,5	19,0	72,0	20	~2,8 kg.	120	~16,8 kg	23,00
SKP-DG/240-M16		M16	21,0	26,0	35,0	17,0	31,0	21,5	19,0	72,0	20	~2,7 kg.	120	~16,2 kg	23,00
SKP-DG/300-M10	300	M10	23,5	29,5	44,0	10,5	31,0	11,5	24,0	87,0	10	~2,0 kg.	60	~12,0 kg	29,00
SKP-DG/300-M12		M12	23,5	29,5	44,0	13,0	31,0	24,0	24,0	87,0	10	~2,3 kg.	60	~13,8 kg	29,00
SKP-DG/300-M16		M16	23,5	29,5	44,0	17,0	31,0	24,0	24,0	87,0	10	~2,3 kg.	60	~13,8 kg	29,00

SKP-DG Özellikleri

Hammadde	: EN 13600 Bakır Boru
Material	: Electrolytic Copper Conformed To EN13600
Kaplama	: Kalay
Coating	: Tin Plated
Bağlantı	: Sıkma / Dar Girişli
Joint	: Clamp Coupling / For Reduced Connecting Space
Boru Et Kalınlığı	: Çok Kalın
Thickness	: Very Thick
Kablo Girişi	: Çok Uzun
Cable Entry	: Very Long

Talep edilmesi durumunda 45 ve 90 derece üretimimiz bulunmaktadır.

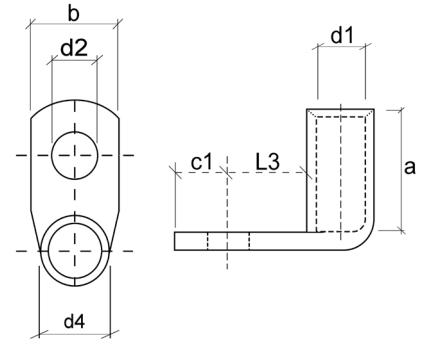
Upon request, it is available in 45 & 90 degrees.



SKP-L90-S 90° AÇILI SIKMALI KABLO PABUCU

STANDART TİP (S)

STANDARD TYPE 90° TUBULAR CABLE LUGS

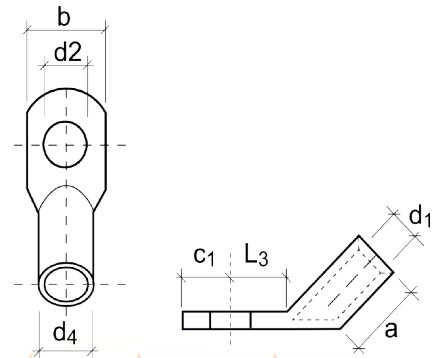


ÜRÜN KODU Order Code	KABLO KESİTİ Cable Section (mm ²)	CIVATA DELİĞİ Bolt	BOYUTLAR Dimensions							KUTU ADEDİ Box Pcs.	KUTU AĞIRLIĞI Box Weight	BİRİM FİYATI Unit Price TL
			d1	d4	a	d2	b	c1	L3			
SKP-L90-S/010-M05	10	M5	4,5	6,5	11,5	5,5	12,0	5,5	7,0	400	~1,9 kg	0,55
SKP-L90-S/016-M06	16	M6	5,5	7,5	13,0	6,5	12,0	5,5	6,5	300	~2,3 kg	0,80
SKP-L90-S/025-M08	25	M8	7,0	9,5	17,5	8,5	13,5	6,8	9,2	200	~2,6 kg	1,30
SKP-L90-S/035-M08	35	M8	8,5	11,0	20,0	8,5	16,0	8,3	9,7	100	~1,8 kg	1,75
SKP-L90-S/050-M10	50	M10	10,0	13,0	22,5	10,5	18,0	10,0	12,0	70	~2,1 kg	2,85
SKP-L90-S/070-M10	70	M10	11,5	14,5	24,0	10,5	21,5	10,0	12,0	50	~1,9 kg	4,00
SKP-L90-S/095-M12	95	M12	13,5	16,5	27,0	13,0	25,0	10,0	12,0	40	~1,9 kg	4,20
SKP-L90-S/120-M12	120	M12	14,5	18,0	30,0	13,0	29,0	13,0	14,5	30	~1,9 kg	6,00
SKP-L90-S/150-M12	150	M12	16,5	21,0	30,0	13,0	31,0	14,0	17,0	25	~2,2 kg	11,25
SKP-L90-S/185-M12	185	M12	18,5	23,0	34,5	13,0	37,0	17,0	18,0	20	~2,6 kg	13,75
SKP-L90-S/240-M12	240	M12	21,0	26,0	35,0	13,0	41,0	17,0	18,0	15	~2,4 kg	18,75

SKP-L45-S 45° AÇILI SIKMALI KABLO PABUCU

STANDART TİP (S)

STANDARD TYPE 45° TUBULAR CABLE LUGS



*5846 sayılı yasa gereği fotoğrafların izinsiz yayınlanması ve kullanılması kesinlikle yasaktır.

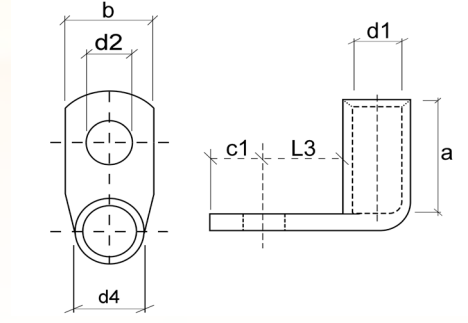
ÜRÜN KODU Order Code	KABLO KESİTİ Cable Section (mm ²)	CIVATA DELİĞİ Bolt	BOYUTLAR Dimensions							KUTU ADEDİ Box Pcs.	KUTU AĞIRLIĞI Box Weight	BİRİM FİYATI Unit Price TL
			d1	d4	a	d2	b	c1	L3			
SKP-L45-S/010-M05	10	M5	4,5	6,5	11,5	5,5	12,0	5,5	7,0	500	~1,9 kg	0,55
SKP-L45-S/016-M06	16	M6	5,5	7,5	13,0	6,5	12,0	5,5	6,5	300	~2,1 kg	0,80
SKP-L45-S/025-M08	25	M8	7,0	9,5	17,5	8,5	13,5	6,8	9,2	200	~2,5 kg	1,30
SKP-L45-S/035-M08	35	M8	8,5	11,0	20,0	8,5	16,0	8,3	9,7	125	~2,1 kg	1,75
SKP-L45-S/050-M10	50	M10	10,0	13,0	22,5	10,5	18,0	10,0	12,0	80	~2,2 kg	2,85
SKP-L45-S/070-M10	70	M10	11,5	14,5	24,0	10,5	21,5	10,0	12,0	60	~2,1 kg	4,00
SKP-L45-S/095-M12	95	M12	13,5	16,5	27,0	13,0	25,0	10,0	12,0	40	~1,9 kg	4,20
SKP-L45-S/120-M12	120	M12	14,5	18,0	30,0	13,0	29,0	13,0	14,5	30	~1,9 kg	6,00
SKP-L45-S/150-M12	150	M12	16,5	21,0	30,0	13,0	31,0	14,0	17,0	25	~2,4 kg	11,25
SKP-L45-S/185-M12	185	M12	18,5	23,0	34,5	13,0	37,0	17,0	18,0	20	~2,4 kg	13,75
SKP-L45-S/240-M12	240	M12	21,0	26,0	35,0	13,0	41,0	17,0	18,0	15	~2,5 kg	18,75

SKP-L90-S1 90° AÇILI EUROPE TİP (S1) KABLO PABUCU

EUROPE TYPE (S1) 90° ANGULAR CABLE LUGS



*5846 sayılı yasa gereği fotoğrafların izinsiz yayınlanması ve kullanılması kesinlikle yasaktır.



ÜRÜN KODU Order Code	KABLO KESİTİ Cable Section (mm ²)	CIVATA DELİĞİ Bolt	BOYUTLAR Dimensions							KUTU ADEDİ Box Pcs.	KUTU AĞIRLIĞI Box Weight	KOLİ ADEDİ Parcel Pcs.	KOLİ AĞIRLIĞI Box Weight	BİRİM FİYATI Unit Price TL
			d1	d4	a	d2	b	c1	L3					
SKP-L90-S1/006-M05	6	M5	3,5	6,5	13,0	5,5	10,0	7,5	9,0	500	~3,2 kg.	3.000	~19,2 kg	0,90
SKP-L90-S1/006-M06		M6	3,5	6,5	13,0	6,5	12,0	7,5	10,0	500	~3,3 kg.	3.000	~19,8 kg	0,90
SKP-L90-S1/006-M08		M8	3,5	6,5	13,0	8,5	14,0	10,0	13,0	500	~3,3 kg.	3.000	~19,8 kg	1,00
SKP-L90-S1/010-M05	10	M5	4,5	7,5	14,0	5,5	12,0	6,5	10,0	400	~2,4 kg.	2.400	~14,4 kg	1,00
SKP-L90-S1/010-M06		M6	4,5	7,5	14,0	6,5	12,0	6,5	10,0	400	~2,3 kg.	2.400	~13,8 kg	1,00
SKP-L90-S1/010-M08		M8	4,5	7,5	14,0	8,5	15,0	10,0	13,0	300	~2,0 kg.	1.800	~12,0 kg	1,05
SKP-L90-S1/016-M05	16	M5	5,5	8,5	17,0	5,5	12,0	7,5	10,0	300	~3,3 kg.	1.800	~19,8 kg	1,70
SKP-L90-S1/016-M06		M6	5,5	8,5	17,0	6,5	12,0	7,5	11,0	300	~3,4 kg.	1.800	~20,4 kg	1,70
SKP-L90-S1/016-M08		M8	5,5	8,5	17,0	8,5	15,0	10,0	13,0	250	~3,0 kg.	1.500	~18,0 kg	1,70
SKP-L90-S1/016-M10		M10	5,5	8,5	17,0	10,5	17,0	12,0	15,0	250	~2,9 kg.	1.500	~17,4 kg	2,00
SKP-L90-S1/025-M05	25	M5	7,0	10,0	19,0	5,5	14,0	7,5	11,0	200	~3,3 kg.	1.200	~19,8 kg	2,40
SKP-L90-S1/025-M06		M6	7,0	10,0	19,0	6,5	14,0	7,5	11,0	200	~3,3 kg.	1.200	~19,8 kg	2,40
SKP-L90-S1/025-M08		M8	7,0	10,0	19,0	8,5	16,0	10,0	13,0	200	~3,2 kg.	1.200	~19,2 kg	2,40
SKP-L90-S1/025-M10		M10	7,0	10,0	19,0	10,5	18,0	12,0	15,0	150	~2,6 kg.	900	~15,6 kg	2,65
SKP-L90-S1/025-M12		M12	7,0	10,0	19,0	13,0	19,0	13,0	18,0	150	~2,3 kg.	900	~13,8 kg	2,85
SKP-L90-S1/035-M06	35	M6	8,5	12,0	23,0	6,5	17,0	7,5	11,0	125	~3,0 kg.	750	~18,0 kg	3,50
SKP-L90-S1/035-M08		M8	8,5	12,0	23,0	8,5	17,0	10,0	13,0	100	~2,5 kg.	600	~15,0 kg	3,50
SKP-L90-S1/035-M10		M10	8,5	12,0	23,0	10,5	19,0	12,0	15,0	100	~2,7 kg.	600	~16,2 kg	4,15
SKP-L90-S1/035-M12		M12	8,5	12,0	23,0	13,0	21,0	13,0	18,0	100	~2,7 kg.	600	~16,2 kg	4,50
SKP-L90-S1/050-M06	50	M6	10,0	14,0	25,0	6,5	20,0	10,0	13,0	80	~3,0 kg.	480	~18,0 kg	5,40
SKP-L90-S1/050-M08		M8	10,0	14,0	25,0	8,5	20,0	10,0	13,0	80	~3,0 kg.	480	~18,0 kg	5,40
SKP-L90-S1/050-M10		M10	10,0	14,0	25,0	10,5	20,0	12,0	16,0	70	~2,8 kg.	420	~16,8 kg	5,40
SKP-L90-S1/050-M12		M12	10,0	14,0	25,0	13,0	23,0	13,0	18,0	70	~2,8 kg.	420	~16,8 kg	5,50
SKP-L90-S1/070-M06	70	M6	12,0	16,5	29,0	6,5	23,0	10,0	13,0	60	~3,2 kg.	360	~19,2 kg	6,50
SKP-L90-S1/070-M08		M8	12,0	16,5	29,0	8,5	23,0	10,0	14,0	60	~3,1 kg.	360	~18,6 kg	6,50
SKP-L90-S1/070-M10		M10	12,0	16,5	29,0	10,5	23,0	12,0	16,0	50	~2,9 kg.	300	~17,4 kg	6,50
SKP-L90-S1/070-M12		M12	12,0	16,5	29,0	13,0	23,0	13,0	18,0	50	~2,7 kg.	300	~16,2 kg	6,75
SKP-L90-S1/095-M08	95	M8	13,5	18,0	33,0	8,5	26,0	12,0	14,0	40	~2,7 kg.	240	~16,2 kg	8,00
SKP-L90-S1/095-M10		M10	13,5	18,0	33,0	10,5	26,0	12,0	17,0	40	~2,8 kg.	240	~16,8 kg	8,00
SKP-L90-S1/095-M12		M12	13,5	18,0	33,0	13,0	26,0	13,0	18,0	40	~2,8 kg.	240	~16,8 kg	8,00
SKP-L90-S1/095-M16		M16	13,5	18,0	33,0	17,0	28,0	16,0	22,0	35	~2,5 kg.	210	~15,0 kg	8,50

ÜRÜN KODU Order Code	KABLO KESİTİ Cable Section (mm ²)	CIVATA DELİĞİ Bolt	BOYUTLAR Dimensions							KUTU ADEDİ Box Pcs.	KUTU AĞIRLIĞI Box Weight	KOLİ ADEDİ Parcel Pcs.	KOLİ AĞIRLIĞI Box Weight	BİRİM FİYATI Unit Price TL
			d1	d4	a	d2	b	c1	L3					
SKP-L90-S1/120-M08	120	M8	15,0	19,5	36,0	8,5	28,0	14,0	16,0	30	~2,4 kg.	180	~14,4 kg	9,70
SKP-L90-S1/120-M10		M10	15,0	19,5	36,0	10,5	28,0	14,0	17,0	30	~2,4 kg.	180	~14,4 kg	9,70
SKP-L90-S1/120-M12		M12	15,0	19,5	36,0	13,0	28,0	14,0	18,0	30	~2,4 kg.	180	~14,4 kg	9,40
SKP-L90-S1/120-M16		M16	15,0	19,5	36,0	17,0	30,0	16,0	22,0	25	~1,8 kg.	150	~10,8 kg	10,00
SKP-L90-S1/150-M08	150	M8	16,5	21,0	40,0	8,5	31,0	14,0	16,0	25	~2,2 kg.	150	~13,2 kg	11,25
SKP-L90-S1/150-M10		M10	16,5	21,0	40,0	10,5	31,0	14,0	17,0	25	~2,2 kg.	150	~13,2 kg	11,25
SKP-L90-S1/150-M12		M12	16,5	21,0	40,0	13,0	31,0	15,0	18,0	25	~2,2 kg.	150	~13,2 kg	11,25
SKP-L90-S1/150-M16		M16	16,5	21,0	40,0	17,0	31,0	16,0	22,0	20	~1,8 kg.	120	~10,8 kg	12,00
SKP-L90-S1/150-M20	M20	16,5	21,0	40,0	21,0	36,0	22,0	24,0	20	~1,8 kg.	120	~10,8 kg	12,50	
SKP-L90-S1/185-M10	185	M10	19,0	24,0	42,0	10,5	35,0	18,0	22,0	20	~3,0 kg.	120	~18,0 kg	16,25
SKP-L90-S1/185-M12		M12	19,0	24,0	42,0	13,0	35,0	18,0	22,0	20	~2,9 kg.	120	~17,4 kg	16,25
SKP-L90-S1/185-M16		M16	19,0	24,0	42,0	17,0	35,0	18,0	22,0	15	~2,8 kg.	90	~16,8 kg	16,25
SKP-L90-S1/185-M20		M20	19,0	24,0	42,0	21,0	39,0	22,0	24,0	15	~2,8 kg.	90	~16,8 kg	17,50
SKP-L90-S1/240-M10	240	M10	21,0	26,0	45,0	10,5	39,0	21,5	22,0	15	~2,4 kg.	90	~14,4 kg	18,75
SKP-L90-S1/240-M12		M12	21,0	26,0	45,0	13,0	39,0	21,5	22,0	15	~2,4 kg.	90	~14,4 kg	18,75
SKP-L90-S1/240-M16		M16	21,0	26,0	45,0	17,0	39,0	21,5	22,0	10	~1,6 kg.	60	~9,6 kg	18,75
SKP-L90-S1/240-M20		M20	21,0	26,0	45,0	21,0	39,0	21,5	24,0	10	~1,6 kg.	60	~9,6 kg	18,75
SKP-L90-S1/300-M12	300	M12	23,5	29,5	56,0	13,0	43,0	24,0	24,0	8	~1,9 kg.	48	~11,4 kg	32,00
SKP-L90-S1/300-M16		M16	23,5	29,5	56,0	17,0	43,0	24,0	24,0	8	~1,8 kg.	48	~10,8 kg	32,00
SKP-L90-S1/300-M20		M20	23,5	29,5	56,0	21,0	43,0	24,0	24,0	8	~1,8 kg.	48	~10,8 kg	32,00
SKP-L90-S1/400-M12	400	M12	27,0	34,0	60,0	13,0	49,0	24,0	24,0	6	~2,0 kg.	36	~12,0 kg	44,00
SKP-L90-S1/400-M16		M16	27,0	34,0	60,0	17,0	49,0	24,0	24,0	6	~1,9 kg.	36	~11,4 kg	44,00
SKP-L90-S1/400-M20		M20	27,0	34,0	60,0	21,0	49,0	24,0	24,0	6	~1,9 kg.	36	~11,4 kg	44,00

SKP-L90-S1 Özellikleri

Hammadde	: EN 13600 Bakır Boru
Material	: Electrolytic Copper Conformed To EN 13600
Kaplama	: Kalay
Coating	: Tin Plated
Bağlantı	: Sıkma
Joint	: Clamp Coupling
Boru Et Kalınlığı	: Çok Kalın
Thickness	: Very Thick
Kablo Girişi	: Uzun
Cable Entry	: Long

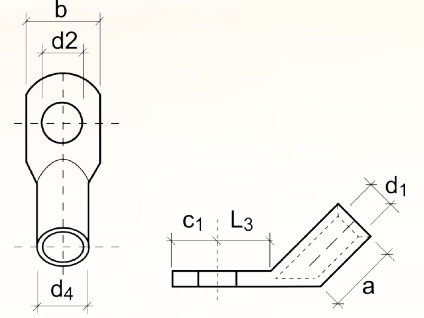


SKP-L45-S1 45° AÇILI EUROPE TİP (S1) KABLO PABUCU

EUROPE TYPE (S1) 45° ANGULAR CABLE LUGS



*5846 sayılı yasa gereği fotoğrafların izinsiz yayınlanması ve kullanılması kesinlikle yasaktır.



ÜRÜN KODU Order Code	KABLO KESİTİ Cable Section (mm ²)	CIVATA DELİĞİ Bolt	BOYUTLAR Dimensions							KUTU ADEDİ Box Pcs.	KUTU AĞIRLIĞI Box Weight	KOLİ ADEDİ Parcel Pcs.	KOLİ AĞIRLIĞI Box Weight	BİRİM FİYATI Unit Price TL
			d1	d4	a	d2	b	c1	L3					
SKP-L45-S1/006-M05	6	M5	3,5	6,5	9,0	5,5	10,0	7,5	9,0	600	~3,6 kg.	3.600	~21,6 kg	0,88
SKP-L45-S1/006-M06		M6	3,5	6,5	9,0	6,5	12,0	7,5	10,0	600	~3,7 kg.	3.600	~22,2 kg	0,88
SKP-L45-S1/006-M08		M8	3,5	6,5	9,0	8,5	14,0	10,0	13,0	600	~3,8 kg.	3.600	~22,8 kg	1,00
SKP-L45-S1/010-M05	10	M5	4,5	7,5	10,0	5,5	12,0	6,5	10,0	500	~2,4 kg.	3.000	~14,4 kg	1,00
SKP-L45-S1/010-M06		M6	4,5	7,5	10,0	6,5	12,0	6,5	10,0	500	~2,8 kg.	3.000	~16,8 kg	1,00
SKP-L45-S1/010-M08		M8	4,5	7,5	10,0	8,5	15,0	10,0	13,0	400	~3,6 kg.	2.400	~21,6 kg	1,05
SKP-L45-S1/016-M05	16	M5	5,5	8,5	13,0	5,5	12,0	7,5	10,0	300	~3,1 kg.	1.800	~18,6 kg	1,70
SKP-L45-S1/016-M06		M6	5,5	8,5	13,0	6,5	12,0	7,5	11,0	300	~3,1 kg.	1.800	~18,6 kg	1,70
SKP-L45-S1/016-M08		M8	5,5	8,5	13,0	8,5	15,0	10,0	13,0	250	~2,9 kg.	1.500	~17,4 kg	1,70
SKP-L45-S1/016-M10		M10	5,5	8,5	13,0	10,5	17,0	12,0	15,0	200	~3,2 kg.	1.200	~19,2 kg	2,00
SKP-L45-S1/025-M05	25	M5	7,0	10,0	15,0	5,5	14,0	7,5	11,0	200	~3,9 kg.	1.200	~23,4 kg	2,40
SKP-L45-S1/025-M06		M6	7,0	10,0	15,0	6,5	14,0	7,5	11,0	200	~2,8 kg.	1.200	~16,8 kg	2,40
SKP-L45-S1/025-M08		M8	7,0	10,0	15,0	8,5	16,0	10,0	13,0	200	~3,0 kg.	1.200	~18,0 kg	2,40
SKP-L45-S1/025-M10		M10	7,0	10,0	15,0	10,5	18,0	12,0	15,0	150	~2,5 kg.	900	~15,0 kg	2,65
SKP-L45-S1/025-M12		M12	7,0	10,0	15,0	13,0	19,0	13,0	18,0	150	~2,5 kg.	900	~15,0 kg	2,85
SKP-L45-S1/035-M06	35	M6	8,5	12,0	17,0	6,5	17,0	7,5	11,0	125	~3,0 kg.	750	~18,0 kg	3,50
SKP-L45-S1/035-M08		M8	8,5	12,0	17,0	8,5	17,0	10,0	13,0	125	~3,0 kg.	750	~18,0 kg	3,50
SKP-L45-S1/035-M10		M10	8,5	12,0	17,0	10,5	19,0	12,0	15,0	100	~2,5 kg.	600	~15,0 kg	4,15
SKP-L45-S1/035-M12		M12	8,5	12,0	17,0	13,0	21,0	13,0	18,0	80	~2,4 kg.	480	~14,4 kg	4,40
SKP-L45-S1/050-M06	50	M6	10,0	14,0	19,0	6,5	20,0	10,0	13,0	80	~2,9 kg.	480	~17,4 kg	5,40
SKP-L45-S1/050-M08		M8	10,0	14,0	19,0	8,5	20,0	10,0	13,0	80	~2,9 kg.	480	~17,4 kg	5,40
SKP-L45-S1/050-M10		M10	10,0	14,0	19,0	10,5	20,0	12,0	16,0	80	~3,0 kg.	480	~18,0 kg	5,50
SKP-L45-S1/050-M12		M12	10,0	14,0	19,0	13,0	23,0	13,0	18,0	70	~3,0 kg.	420	~18,0 kg	5,50
SKP-L45-S1/070-M06	70	M6	12,0	16,5	21,0	6,5	23,0	10,0	13,0	60	~3,2 kg.	360	~19,2 kg	6,50
SKP-L45-S1/070-M08		M8	12,0	16,5	21,0	8,5	23,0	10,0	14,0	60	~3,0 kg.	360	~18,0 kg	6,50
SKP-L45-S1/070-M10		M10	12,0	16,5	21,0	10,5	23,0	12,0	16,0	60	~3,2 kg.	360	~19,2 kg	6,50
SKP-L45-S1/070-M12		M12	12,0	16,5	21,0	13,0	23,0	13,0	18,0	50	~2,7 kg.	300	~16,2 kg	6,75
SKP-L45-S1/095-M08	95	M8	13,5	18,0	25,0	8,5	26,0	12,0	14,0	40	~2,5 kg.	240	~15,0 kg	8,00
SKP-L45-S1/095-M10		M10	13,5	18,0	25,0	10,5	26,0	12,0	17,0	40	~2,6 kg.	240	~15,6 kg	8,00
SKP-L45-S1/095-M12		M12	13,5	18,0	25,0	13,0	26,0	13,0	18,0	40	~2,8 kg.	240	~16,8 kg	8,00
SKP-L45-S1/095-M16		M16	13,5	18,0	25,0	17,0	28,0	16,0	22,0	40	~2,8 kg.	240	~16,8 kg	8,50

ÜRÜN KODU Order Code	KABLO KESİTİ Cable Section (mm ²)	CIVATA DELİĞİ Bolt	BOYUTLAR Dimensions							KUTU ADEĐİ Box Pcs.	KUTU AĞIRLIĞI Box Weight	KOLİ ADEĐİ Parcel Pcs.	KOLİ AĞIRLIĞI Box Weight	BİRİM FİYATI Unit Price TL
			d1	d4	a	d2	b	c1	L3					
SKP-L45-S1/120-M08	120	M8	15,0	19,5	26,0	8,5	28,0	14,0	16,0	30	~2,3 kg.	180	~13,8 kg	9,70
SKP-L45-S1/120-M10		M10	15,0	19,5	26,0	10,5	28,0	14,0	17,0	30	~2,3 kg.	180	~13,8 kg	9,70
SKP-L45-S1/120-M12		M12	15,0	19,5	26,0	13,0	28,0	14,0	18,0	30	~2,3 kg.	180	~13,8 kg	9,40
SKP-L45-S1/120-M16		M16	15,0	19,5	26,0	17,0	30,0	16,0	22,0	30	~2,2 kg.	180	~13,2 kg	10,00
SKP-L45-S1/150-M08	150	M8	16,5	21,0	30,0	8,5	31,0	14,0	16,0	25	~2,4 kg.	150	~14,4 kg	11,25
SKP-L45-S1/150-M10		M10	16,5	21,0	30,0	10,5	31,0	14,0	17,0	25	~2,2 kg.	150	~13,2 kg	11,25
SKP-L45-S1/150-M12		M12	16,5	21,0	30,0	13,0	31,0	15,0	18,0	25	~2,4 kg.	150	~14,4 kg	11,25
SKP-L45-S1/150-M16		M16	16,5	21,0	30,0	17,0	31,0	16,0	22,0	25	~2,3 kg.	150	~13,8 kg	11,25
SKP-L45-S1/150-M20	M20	16,5	21,0	30,0	21,0	36,0	22,0	24,0	25	~2,2 kg.	150	~13,2 kg	12,50	
SKP-L45-S1/185-M10	185	M10	19,0	24,0	30,0	10,5	35,0	18,0	22,0	20	~2,7 kg.	120	~16,2 kg	16,25
SKP-L45-S1/185-M12		M12	19,0	24,0	30,0	13,0	35,0	18,0	22,0	20	~2,7 kg.	120	~16,2 kg	16,25
SKP-L45-S1/185-M16		M16	19,0	24,0	30,0	17,0	35,0	18,0	22,0	20	~2,4 kg.	120	~14,4 kg	16,25
SKP-L45-S1/185-M20		M20	19,0	24,0	30,0	21,0	39,0	22,0	24,0	20	~2,4 kg.	120	~14,4 kg	17,50
SKP-L45-S1/240-M10	240	M10	21,0	26,0	35,0	10,5	39,0	21,5	22,0	15	~2,4 kg.	90	~14,4 kg	18,75
SKP-L45-S1/240-M12		M12	21,0	26,0	35,0	13,0	39,0	21,5	22,0	15	~2,5 kg.	90	~15,0 kg	18,75
SKP-L45-S1/240-M16		M16	21,0	26,0	35,0	17,0	39,0	21,5	22,0	15	~2,4 kg.	90	~14,4 kg	18,75
SKP-L45-S1/240-M20		M20	21,0	26,0	35,0	21,0	39,0	21,5	24,0	15	~2,3 kg.	90	~13,8 kg	19,00
SKP-L45-S1/300-M12	300	M12	23,5	29,5	44,0	13,0	43,0	24,0	24,0	8	~2,1 kg.	48	~12,6 kg	32,00
SKP-L45-S1/300-M16		M16	23,5	29,5	44,0	17,0	43,0	24,0	24,0	8	~2,1 kg.	48	~12,6 kg	32,00
SKP-L45-S1/300-M20		M20	23,5	29,5	44,0	21,0	43,0	24,0	24,0	8	~2,1 kg.	48	~12,6 kg	32,00
SKP-L45-S1/400-M12	400	M12	27,0	34,0	44,0	13,0	49,0	24,0	24,0	6	~2,1 kg.	36	~12,6 kg	44,00
SKP-L45-S1/400-M16		M16	27,0	34,0	44,0	17,0	49,0	24,0	24,0	6	~2,1 kg.	36	~12,6 kg	44,00
SKP-L45-S1/400-M20		M20	27,0	34,0	44,0	21,0	49,0	24,0	24,0	6	~2,0 kg.	36	~12,0 kg	44,00

SKP-L45-S1 Özellikleri

Hammadde Material	: EN 13600 Bakır Boru Electrolytic Copper Conformed To EN 13600
Kaplama Coating	: Kalay Tin Plated
Bağlantı Joint	: Sıkma Clamp Coupling
Boru Et Kalınlığı Thickness	: Çok Kalın Very Thick
Kablo Girişi Cable Entry	: Uzun Long

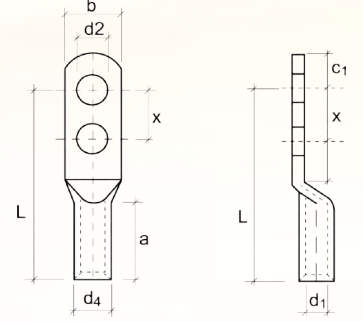


SKP-C ÇİFT DELİKLİ SIKMALI KABLO PABUCU

TUBULAR CABLE LUGS WITH TWO CONNECTION HOLES



*5846 sayılı yasa gereği fotoğrafların izinsiz yayınlanması ve kullanılması kesinlikle yasaktır.



ÜRÜN KODU Order Code	KABLO KESİTİ Cable Section (mm ²)	CIVATA DELİĞİ Bolt	BOYUTLAR Dimensions								KUTU ADEDİ Box Pcs.	KUTU AĞIRLIĞI Box Weight	BİRİM FİYATI Unit Price TL
			d1	d4	a	d2	b	c1	x	L			
SKP-C/016-M06/X16	16	M6	5,5	8,5	20,0	6,4	12,0	10,0	16,0	53,0	150	~2,3 kg.	2,65
SKP-C/016-M06/X25		M6	5,5	8,5	20,0	7,0	12,0	10,0	25,0	62,0	150		3,15
SKP-C/025-M06/X16	25	M6	7,0	10,0	20,0	6,4	14,0	10,0	16,0	54,0	100	~2,1 kg.	3,25
SKP-C/025-M06/X25		M6	7,0	10,0	20,0	7,0	14,0	10,0	25,0	63,0	100		4,00
SKP-C/025-M08/X16		M8	7,0	10,0	20,0	8,5	14,0	10,0	16,0	54,0	100		3,25
SKP-C/025-M08/X25		M8	7,0	10,0	20,0	8,5	14,0	10,0	25,0	63,0	100		4,00
SKP-C/035-M08/X16	35	M8	8,5	12,0	20,0	8,5	18,0	10,0	16,0	62,0	80	~2,9 kg.	5,50
SKP-C/035-M08/X25		M8	8,5	12,0	20,0	8,5	18,0	10,0	25,0	71,0	80		5,75
SKP-C/035-M08/X40		M8	8,5	12,0	20,0	8,5	18,0	10,0	40,0	86,0	70		6,75
SKP-C/035-M10/X25		M10	8,5	12,0	20,0	10,5	18,0	10,0	25,0	71,0	80		5,75
SKP-C/035-M10/X40		M10	8,5	12,0	20,0	10,5	18,0	10,0	40,0	86,0	70		6,75
SKP-C/050-M06/X25	50	M6	10,0	14,0	28,0	6,5	21,0	10,0	25,0	69,0	50	~2,8 kg.	10,00
SKP-C/050-M06/X40		M6	10,0	14,0	28,0	6,5	21,0	10,0	40,0	84,0	50		11,50
SKP-C/050-M08/X25		M8	10,0	14,0	28,0	8,5	21,0	10,0	25,0	69,0	50		10,00
SKP-C/050-M08/X40		M8	10,0	14,0	28,0	8,5	21,0	10,0	40,0	84,0	50		11,50
SKP-C/050-M10/X25		M10	10,0	14,0	28,0	10,5	21,0	16,0	25,0	75,0	50		10,00
SKP-C/050-M10/X40		M10	10,0	14,0	28,0	10,5	21,0	16,0	40,0	90,0	50		11,50
SKP-C/050-M12/X25		M12	10,0	14,0	28,0	13,0	23,0	16,0	25,0	75,0	50		10,00
SKP-C/050-M12/X40	M12	10,0	14,0	28,0	13,0	23,0	16,0	40,0	90,0	50	11,50		
SKP-C/070-M08/X25	70	M8	12,0	16,5	28,0	8,5	23,0	10,0	25,0	76,0	40	~3,2 kg.	11,50
SKP-C/070-M08/X40		M8	12,0	16,5	28,0	8,5	23,0	10,0	40,0	91,0	40		13,50
SKP-C/070-M10/X25		M10	12,0	16,5	28,0	10,5	23,0	16,0	25,0	82,0	40		11,50
SKP-C/070-M10/X40		M10	12,0	16,5	28,0	10,5	23,0	16,0	40,0	97,0	40		13,50
SKP-C/070-M12/X25		M12	12,0	16,5	28,0	13,0	23,0	16,0	25,0	76,0	40		11,50
SKP-C/070-M12/X40		M12	12,0	16,5	28,0	13,0	23,0	16,0	40,0	91,0	40		13,50
SKP-C/070-M12/X45		M12	12,0	16,5	28,0	13,0	23,0	16,0	45,0	96,0	40		13,75
SKP-C/070-M12/X60		M12	12,0	16,5	28,0	13,0	23,0	16,0	60,0	111,0	40		15,75
SKP-C/095-M10/X25	95	M10	13,5	18,0	35,0	10,5	26,0	16,0	25,0	87,0	25	~2,4 kg.	13,50
SKP-C/095-M10/X40		M10	13,5	18,0	35,0	10,5	26,0	16,0	40,0	102,0	25		15,00
SKP-C/095-M12/X25		M12	13,5	18,0	35,0	13,0	26,0	16,0	25,0	87,0	25		13,50
SKP-C/095-M12/X40		M12	13,5	18,0	35,0	13,0	26,0	16,0	40,0	102,0	25		15,00
SKP-C/095-M12/X45		M12	13,5	18,0	35,0	13,0	26,0	16,0	45,0	107,0	25		15,00
SKP-C/095-M12/X60		M12	13,5	18,0	35,0	13,0	26,0	16,0	60,0	122,0	25		16,50

ÜRÜN KODU Order Code	KABLO KESİTİ Cable Section (mm ²)	CIVATA DELİĞİ Bolt	BOYUTLAR Dimensions								KUTU ADEĐİ Box Pcs.	KUTU AĞIRLIĐI Box Weight	BİRİM FİYATI Unit Price TL
			d1	d4	a	d2	b	c1	x	L			
SKP-C/120-M12/X25	120	M12	15,0	19,5	35,0	13,0	28,0	16,0	25,0	87,0	25	~2,6 kg.	14,25
SKP-C/120-M12/X40		M12	15,0	19,5	35,0	13,0	28,0	16,0	40,0	102,0	25	~3,1 kg.	15,50
SKP-C/120-M12/X45		M12	15,0	19,5	35,0	13,0	28,0	16,0	45,0	107,0	25		16,25
SKP-C/120-M12/X60		M12	15,0	19,5	35,0	13,0	28,0	16,0	60,0	122,0	25		17,50
SKP-C/120-M16/X40		M16	15,0	19,5	35,0	17,0	28,0	19,0	40,0	105,0	25		15,50
SKP-C/120-M16/X50		M16	15,0	19,5	35,0	17,0	28,0	19,0	50,0	115,0	25		17,00
SKP-C/150-M12/X25	150	M12	16,5	21,0	35,0	13,0	31,0	16,0	25,0	90,0	20	~2,3 kg.	15,75
SKP-C/150-M12/X40		M12	16,5	21,0	35,0	13,0	31,0	16,0	40,0	105,0	20		17,00
SKP-C/150-M12/X45		M12	16,5	21,0	35,0	13,0	31,0	16,0	45,0	110,0	20		17,25
SKP-C/150-M12/X50		M12	16,5	21,0	35,0	13,0	31,0	16,0	50,0	115,0	20	~2,8 kg.	17,50
SKP-C/150-M12/X60		M12	16,5	21,0	35,0	13,0	31,0	16,0	60,0	125,0	20		19,75
SKP-C/150-M16/X40		M16	16,5	21,0	35,0	17,0	31,0	19,0	40,0	108,0	20		17,00
SKP-C/150-M16/X50	M16	16,5	21,0	35,0	17,0	31,0	19,0	50,0	118,0	20		17,50	
SKP-C/185-M12/X25	185	M12	19,0	24,0	40,0	13,0	35,0	16,0	25,0	96,0	12	~1,9 kg.	20,00
SKP-C/185-M12/X40		M12	19,0	24,0	40,0	13,0	35,0	16,0	40,0	111,0	12	~2,4 kg.	21,50
SKP-C/185-M12/X45		M12	19,0	24,0	40,0	13,0	35,0	16,0	45,0	116,0	12		22,50
SKP-C/185-M12/X50		M12	19,0	24,0	40,0	13,0	35,0	16,0	50,0	121,0	12		23,25
SKP-C/185-M12/X60		M12	19,0	24,0	40,0	13,0	35,0	16,0	60,0	131,0	12		25,00
SKP-C/185-M16/X40		M16	19,0	24,0	40,0	17,0	35,0	19,0	40,0	114,0	12		22,50
SKP-C/185-M16/X50	M16	19,0	24,0	40,0	17,0	35,0	19,0	50,0	124,0	12		24,25	
SKP-C/240-M12/X25	240	M12	21,0	26,0	40,0	13,0	38,0	16,0	25,0	97,0	12	~2,1 kg.	28,00
SKP-C/240-M12/X40		M12	21,0	26,0	40,0	13,0	38,0	16,0	40,0	112,0	12		29,75
SKP-C/240-M12/X45		M12	21,0	26,0	40,0	13,0	38,0	16,0	45,0	117,0	12		30,25
SKP-C/240-M12/X50		M12	21,0	26,0	40,0	13,0	38,0	16,0	50,0	122,0	12		30,75
SKP-C/240-M12/X60		M12	21,0	26,0	40,0	13,0	38,0	16,0	60,0	132,0	12		31,25
SKP-C/240-M16/X40		M16	21,0	26,0	40,0	17,0	38,0	19,0	40,0	115,0	12		30,25
SKP-C/240-M16/X50	M16	21,0	26,0	40,0	17,0	38,0	19,0	50,0	125,0	12		30,75	

Talep edilmesi durumunda 45 ve 90 derece üretimimiz bulunmaktadır.
Upon request, it is available in 45 & 95 degrees.



SKP-C Özellikleri

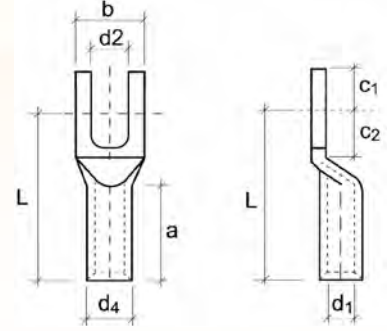
Ham madde Material	: EN 13600 Bakır Boru Electrolytic Copper Conformed To EN 13600
Kaplama Coating	: Kalay Tin Plated
Bağlantı Joint	: Sıkma Clamp Coupling
Boru Et Kalınlığı Thickness	: Çok Kalın Very Thick
Kablo Girişi Cable Entry	: Uzun Long



SKP-F



ÇATAL TİP SIKMALI KABLO PABUCU FORK TYPE CABLE LUGS



*5846 sayılı yasa gereği fotoğrafların izinsiz yayınlanması ve kullanılması kesinlikle yasaktır.

ÜRÜN KODU Order Code	KABLO KESİTİ Cable Section (mm ²)	CIVATA DELİĞİ Bolt	BOYUTLAR Dimensions									KUTU ADEDİ Box Pcs.	KUTU AĞIRLIĞI Box Weight	KOLİ ADEDİ Parcel Pcs.	KOLİ AĞIRLIĞI Box Weight	BİRİM FİYATI Unit Price TL
			d1	d4	a	d2	b	c1	c2	L						
SKP-F/006-M04	6	M4	4,0	5,5	9,5	4,3	9,0	6,5	6,5	19,0	1000	~2,3 kg.	8000	~18,4 kg.	0,80	
SKP-F/006-M05		M5	4,0	5,5	9,5	5,3	9,0	6,5	6,5	19,0	1000	~2,2 kg.	8000	~18,4 kg.	0,80	
SKP-F/006-M06		M6	4,0	6,0	6,0	6,4	10,5	7,0	7,0	21,0	700	~2,4 kg.	5600	~19,2 kg.	1,05	
SKP-F/006-M08		M8	4,0	6,0	6,0	8,4	13,0	8,0	8,0	22,5	600	~2,2 kg.	4800	~17,6 kg.	1,20	
SKP-F/010-M05	10	M5	4,5	7,0	10,0	5,5	12,0	6,5	7,5	22,0	500	~2,1 kg.	4000	~16,8 kg.	1,20	
SKP-F/010-M06		M6	4,5	7,0	10,0	6,5	12,0	6,5	7,5	22,0	500	~2,1 kg.	4000	~16,8 kg.	1,20	
SKP-F/010-M08		M8	4,5	7,5	10,0	8,5	15,0	10,0	10,0	25,0	400	~2,4 kg.	3200	~19,2 kg.	1,45	
SKP-F/016-M05	16	M5	5,5	8,5	13,0	5,5	12,0	5,5	6,5	26,0	400	~2,2 kg.	2400	~13,2 kg.	2,00	
SKP-F/016-M06		M6	5,5	8,5	13,0	6,5	12,0	6,2	7,5	27,0	400	~3,4 kg.	2400	~20,4 kg.	2,00	
SKP-F/016-M08		M8	5,5	8,5	13,0	8,4	15,0	8,5	9,5	29,0	300	~2,8 kg.	1800	~16,8 kg.	2,00	

SKP-F Özellikleri

Hammadde	: EN 13600 Bakır Boru
Material	: Electrolytic Copper Conformed To EN 13600
Kaplama	: Kalay
Coating	: Tin Plated
Bağlantı	: Sıkma
Joint	: Clamp Coupling
Boru Et Kalınlığı	: Kalın
Thickness	: Thick
Kablo Girişi	: Normal
Cable Entry	: Standard



Bu tabloda koyu yazı karakteri ile belirtilmiş olan kablo pabuçları standart üretimimizdir.

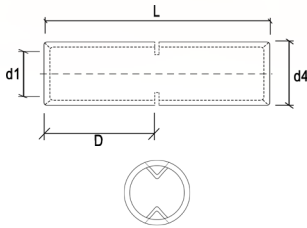
The cable lugs which are indicated in bold font, are standart products of **Simpa**

SEM-A

STANDART TİP SIKMALI EK MUFLAR STANDARD TYPE BUTT CONNECTORS



*5846 sayılı yasa gereği fotoğrafların izinsiz yayınlanması ve kullanılması kesinlikle yasaktır.



ÜRÜN KODU Order Code	KABLO KESİTİ Cable Section (mm ²)	BOYUTLAR Dimensions				KUTU ADEDİ Box Pcs.	KUTU AĞIRLIĞI Box Weight	KOLİ ADEDİ Parcel Pcs.	KOLİ AĞIRLIĞI Box Weight	BİRİM FİYATI Unit Price TL
		d1	d4	L	D					
SEM-A/006	6	4,0	5,5	25,0	12,5	800	~2,1 kg.	6.400	~16,8 kg	0,50
SEM-A/010	10	4,5	6,0	30,0	15,0	600	~2,1 kg.	4.800	~16,8 kg	0,55
SEM-A/016	16	5,5	7,5	35,0	17,5	300	~2,0 kg.	2.400	~16,0 kg	0,75
SEM-A/025	25	7,0	9,5	40,0	20,0	200	~2,4 kg.	1.600	~19,2 kg	1,30
SEM-A/035	35	8,5	11,0	45,0	22,5	150	~2,2 kg.	1.200	~17,6 kg	1,75
SEM-A/050	50	10,0	13,0	50,0	25,0	125	~3,0 kg.	1.000	~24,0 kg	3,00
SEM-A/070	70	11,5	14,5	55,0	27,5	80	~2,4 kg.	640	~19,2 kg	4,00
SEM-A/095	95	13,5	16,5	60,0	30,0	60	~2,3 kg.	480	~18,4 kg	4,15
SEM-A/120	120	14,5	18,0	65,0	32,5	40	~2,1 kg.	320	~16,8 kg	5,90
SEM-A/150	150	16,5	21,0	70,0	35,0	30	~2,6 kg.	240	~20,8 kg	9,40
SEM-A/185	185	18,5	23,0	75,0	37,5	20	~2,0 kg.	160	~16,0 kg	11,25
SEM-A/240	240	21,0	26,0	85,0	42,5	15	~2,1 kg.	120	~16,8 kg	15,50
SEM-A/300	300	23,5	28,5	100,0	50,0	10	~1,9 kg.	80	~15,2 kg	17,50
SEM-A/400	400	27,0	33,0	110,0	55,0	6	~1,5 kg.	48	~12,0 kg	30,00
SEM-A/500	500	30,0	38,0	120,0	60,0	4	~1,7 kg.	32	~13,6 kg	47,50
SEM-A/625	625	34,0	42,0	130,0	65,0	3	~1,7 kg.	24	~13,6 kg	75,00

SEM-A Özellikleri

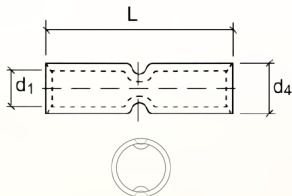
Ham madde	: EN 13600 Bakır Boru
Material	: Electrolytic Copper Conformed To EN 13600
Kaplama	: Kalay
Coating	: Tin Plated
Bağlantı	: Sıkma + Lehim
Joint	: Clamp Coupling
Boru Et Kalınlığı	: Kalın
Thickness	: Thick

SEM-D

DIN 46267 TİP SIKMALI EK MUFLAR DIN 46267 TYPE BUTT CONNECTORS



*5846 sayılı yasa gereği fotoğrafların izinsiz yayınlanması ve kullanılması kesinlikle yasaktır.



ÜRÜN KODU Order Code	KABLO KESİTİ Cable Section (mm ²)	BOYUTLAR Dimensions			KUTU ADEDİ Box Pcs.	KUTU AĞIRLIĞI Box Weight	KOLİ ADEDİ Parcel Pcs.	KOLİ AĞIRLIĞI Box Weight	BİRİM FİYATI Unit Price TL
		d1	d4	L					
SEM-D/006	6	3,8	5,5	30,0	700	~2,4 kg.	4200	~14,4 kg	0,50
SEM-D/010	10	4,5	6,0	30,0	600	~1,9 kg.	3600	~11,4 kg	0,55
SEM-D/016	16	5,5	8,5	50,0	200	~2,9 kg.	1200	~17,4 kg	1,60
SEM-D/025	25	7,0	10,0	50,0	150	~2,7 kg.	900	~16,2 kg	2,00
SEM-D/035	35	8,2	12,5	50,0	125	~3,9 kg.	750	~23,4 kg	3,50
SEM-D/050	50	10,0	14,5	56,0	80	~3,4 kg.	480	~20,4 kg	5,00
SEM-D/070	70	11,5	16,5	56,0	50	~2,7 kg.	300	~16,2 kg	6,00
SEM-D/095	95	13,5	19,0	70,0	35	~3,1 kg.	210	~18,6 kg	8,60
SEM-D/120	120	15,5	21,0	70,0	25	~2,4 kg.	150	~14,4 kg	9,20
SEM-D/150	150	17,0	23,5	80,0	20	~2,9 kg.	120	~17,4 kg	13,50
SEM-D/185	185	19,0	25,5	85,0	12	~2,1 kg.	72	~12,6 kg	16,00
SEM-D/240	240	21,5	29,0	90,0	10	~2,4 kg.	60	~14,4 kg	22,00
SEM-D/300	300	24,5	32,0	100,0	8	~2,4 kg.	48	~14,4 kg	29,00
SEM-D/400	400	27,5	38,5	150,0	4	~3,0 kg.	24	~18,0 kg	67,00
SEM-D/500	500	31,0	42,0	160,0	2	~1,8 kg.	12	~10,8 kg	80,00
SEM-D/625	625	34,5	44,0	160,0	3	~1,6 kg.	18	~9,6 kg	85,00
SEM-D/800	800	40,0	52,0	200,0	1	~1,5 kg.	6		
SEM-D/1000	1000	44,0	58,0	200,0	1	~2,0 kg.	6		

SEM-D Özellikleri

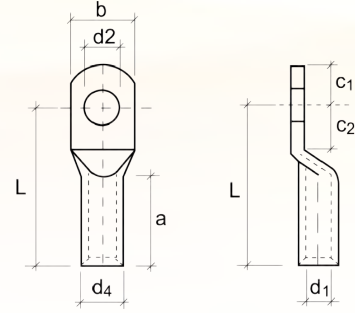
Ham madde	: EN 13600 Bakır Boru
Material	: Electrolytic Copper Conformed To EN 13600
Kaplama	: Kalay
Coating	: Tin Plated
Bağlantı	: Sıkma
Joint	: Clamp Coupling
DIN Normu 46267'ye uygundur	
Conformed to DIN 46167	

AKP-D ALÜMİNYUM KABLO PABUCU DIN 46329

DIN 46329 TYPE ALUMINIUM CABLE LUGS



*5846 sayılı yasa gereği fotoğrafların izinsiz yayınlanması ve kullanılması kesinlikle yasaktır.



ÜRÜN KODU Order Code	KABLO KESİTİ Cable Section (mm ²)	CIVATA DELİĞİ Bolt	BOYUTLAR Dimensions										KUTU ADEDİ Box Pcs.	KUTU AĞIRLIĞI Box Weight	KOLİ ADEDİ Parcel Pcs.	KOLİ AĞIRLIĞI Box Weight	BİRİM FİYATI Unit Price TL				
			d1	d4	a	d2	b	c1	c2	L	L+c										
AKP-D/016-M08/SD	16	M8	5,8	12,0	34,0	8,5	18,0	10,0	11,5	52,0	62,0	100	~1,3 kg.	1.000	~13,0 kg	0,60					
AKP-D/016-M10		M10	5,8	12,0	34,0	10,5	18,0	10,0	11,5	52,0	62,0						100	~1,3 kg.	1.000	~13,0 kg	0,60
AKP-D/025-M08/SD	25	M8	6,8	12,0	40,0	8,5	18,0	10,0	11,5	60,0	70,0	80	~1,1 kg.	800	~11,0 kg	0,80					
AKP-D/025-M10		M10	6,8	12,0	40,0	10,5	19,0	12,0	12,0	60,0	72,0						80	~1,1 kg.	800	~11,0 kg	0,80
AKP-D/025-M12		M12	6,8	12,0	40,0	13,0	21,0	13,0	13,0	60,0	73,0						80	~1,1 kg.	800	~11,0 kg	0,80
AKP-D/035-M08	35	M8	8,0	14,0	43,0	8,5	21,0	11,5	14,0	67,0	78,5	60	~1,3 kg.	600	~13,0 kg	1,00					
AKP-D/035-M10/SD		M10	8,0	14,0	43,0	10,5	21,0	11,5	14,0	67,0	78,5						60	~1,3 kg.	600	~13,0 kg	1,00
AKP-D/035-M12		M12	8,0	14,0	43,0	13,0	21,0	11,5	14,0	67,0	78,5						60	~1,2 kg.	600	~12,0 kg	1,00
AKP-D/035-M14		M14	8,0	14,0	43,0	15,0	21,0	12,0	16,0	69,0	81,0						60	~1,3 kg.	600	~13,0 kg	1,50
AKP-D/050-M10/SD	50	M10	9,8	16,0	46,0	10,5	25,0	14,0	15,0	72,0	86,0	40	~1,1 kg.	400	~11,0 kg	1,50					
AKP-D/050-M12		M12	9,8	16,0	46,0	13,0	25,0	14,0	15,0	72,0	86,0						40	~1,1 kg.	400	~11,0 kg	1,50
AKP-D/070-M10/SD	70	M10	11,2	18,5	54,0	10,5	28,0	15,0	17,5	86,0	101,0	25	~1,4 kg.	250	~14,0 kg	2,00					
AKP-D/070-M12		M12	11,2	18,5	54,0	13,0	28,0	15,0	17,5	86,0	101,0						25	~1,1 kg.	250	~11,0 kg	2,00
AKP-D/095-M10	95	M10	13,2	22,0	59,0	10,5	32,0	15,5	17,5	90,0	105,5	15	~1,0 kg.	150	~10,0 kg	3,00					
AKP-D/095-M12/SD		M12	13,2	22,0	59,0	13,0	32,0	15,5	17,5	90,0	105,5						15	~1,0 kg.	150	~10,0 kg	3,00
AKP-D/095-M16		M16	13,2	22,0	59,0	17,0	34,0	15,5	17,5	90,0	105,5						15	~1,0 kg.	150	~10,0 kg	3,00
AKP-D/120-M12/SD	120	M12	14,7	23,0	59,0	13,0	32,0	16,0	17,5	91,0	107,0	15	~1,0 kg.	150	~10,0 kg	3,50					
AKP-D/120-M16		M16	14,7	23,0	59,0	17,0	34,0	16,0	17,5	91,0	107,0						15	~1,3 kg.	150	~13,0 kg	3,50
AKP-D/150-M12/SD	150	M12	16,3	25,0	62,0	13,0	35,0	17,5	20,0	103,0	120,5	12	~1,1 kg.	120	~11,0 kg	4,50					
AKP-D/150-M16		M16	16,3	25,0	62,0	17,0	35,0	17,5	20,0	103,0	120,5						12	~1,1 kg.	120	~11,0 kg	4,50
AKP-D/150-M20		M20	16,3	25,0	62,0	21,0	41,0	17,5	20,0	103,0	120,5						12	~1,1 kg.	120	~11,0 kg	4,50
AKP-D/185-M12	185	M12	18,3	28,5	63,0	13,0	40,0	19,0	20,0	106,0	125,0	8	~1,0 kg.	80	~10,0 kg	6,00					
AKP-D/185-M16/SD		M16	18,3	28,5	63,0	17,0	40,0	19,0	20,0	106,0	125,0						8	~1,0 kg.	80	~10,0 kg	6,00
AKP-D/185-M20		M20	18,3	28,5	63,0	21,0	40,0	19,0	20,0	106,0	125,0						8	~1,1 kg.	80	~11,0 kg	6,00
AKP-D/240-M12	240	M12	21,0	32,0	72,0	13,0	45,0	23,0	24,0	116,0	139,0	8	~1,4 kg.	80	~14,0 kg	8,00					
AKP-D/240-M16/SD		M16	21,0	32,0	72,0	17,0	45,0	23,0	24,0	116,0	139,0						8	~1,4 kg.	80	~14,0 kg	8,00
AKP-D/240-M20		M20	21,0	32,0	72,0	21,0	45,0	23,0	24,0	116,0	139,0						8	~1,4 kg.	80	~14,0 kg	8,00
AKP-D/300-M16/SD	300	M16	23,3	34,0	74,0	17,0	49,0	24,0	25,0	124,0	148,0	5	~1,0 kg.	50	~10,0 kg	11,00					
AKP-D/300-M20		M20	23,3	34,0	74,0	21,0	49,0	24,0	25,0	124,0	148,0						5	~1,0 kg.	50	~10,0 kg	11,00
AKP-D/400-M16/SD	400	M16	26,0	38,5	105,0	17,0	58,0	30,0	32,0	166,0	196,0	10	~3,3 kg.	100	~33,0 kg	20,00					
AKP-D/400-M20		M20	26,0	38,5	105,0	21,0	58,0	30,0	32,0	166,0	196,0						10	~3,3 kg.	100	~33,0 kg	20,00

AKP-D Özellikleri

Hammadde	: Elektrolitik Alüminyum
Material	: Electrolytic Aluminium
Kaplama	: Doğal Parlak
Coating	: Natural Bright
Bağlantı	: Sıkma
Joint	: Clamp Coupling
DIN Normu 46329'a uygundur	
Conformed to DIN 46329	

Bu tabloda koyu yazı karakteri ile belirtilmiş olan kablo pabuçları standart üretimimizdir.

The cable lugs which are indicated in bold font, are standart products of **Simpa**.

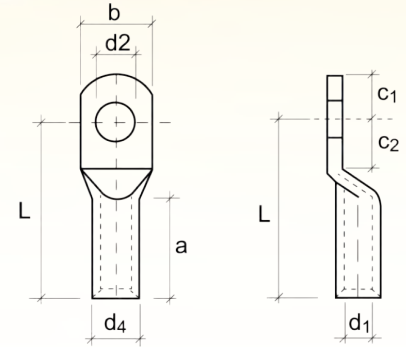


AKP-DY

ALÜMİNYUM KABLO PABUCU OKSİT KORUMA YAĞLI DIN 46329 ALUMINIUM CABLE LUGS WITH OXIDE PROTECTION OIL DIN 46329



*5846 sayılı yasa gereği fotoğrafların izinsiz yayınlanması ve kullanılması kesinlikle yasaktır.



ÜRÜN KODU Order Code	KABLO KESİTİ Cable Section (mm ²)	CIVATA DELİĞİ Bolt	BOYUTLAR Dimensions										KUTU ADEDİ Box Pcs.	KUTU AĞIRLIĞI Box Weight	KOLİ ADEDİ Parcel Pcs.	KOLİ AĞIRLIĞI Box Weight	BİRİM FİYATI Unit Price TL
			d1	d4	a	d2	b	c1	c2	L	L+c1						
AKP-DY/016-M08/SD	16	M8	5,8	12,0	34,0	8,5	18,0	10,0	11,5	52,0	62,0	100	~1,3 kg.	1.000	~13,0 kg	0,75	
AKP-DY/016-M10		M10	5,8	12,0	34,0	10,5	18,0	10,0	11,5	52,0	62,0	100	~1,3 kg.	1.000	~13,0 kg	0,75	
AKP-DY/025-M08/SD	25	M8	6,8	12,0	40,0	8,5	18,0	10,0	11,5	60,0	70,0	80	~1,1 kg.	800	~11,0 kg	0,85	
AKP-DY/025-M10		M10	6,8	12,0	40,0	10,5	19,0	12,0	12,0	60,0	72,0	80	~1,1 kg.	800	~11,0 kg	0,85	
AKP-DY/025-M12		M12	6,8	12,0	40,0	13,0	21,0	13,0	13,0	60,0	73,0	80	~1,1 kg.	800	~11,0 kg	0,85	
AKP-DY/035-M08	35	M8	8,0	14,0	43,0	8,5	21,0	11,5	14,0	67,0	78,5	60	~1,3 kg.	600	~13,0 kg	1,10	
AKP-DY/035-M10/SD		M10	8,0	14,0	43,0	10,5	21,0	11,5	14,0	67,0	78,5	60	~1,3 kg.	600	~13,0 kg	1,10	
AKP-DY/035-M12		M12	8,0	14,0	43,0	13,0	21,0	11,5	14,0	67,0	78,5	60	~1,3 kg.	600	~13,0 kg	1,10	
AKP-DY/050-M10/SD	50	M10	9,8	16,0	46,0	10,5	25,0	14,0	15,0	72,0	86,0	40	~1,4 kg.	400	~14,0 kg	1,60	
AKP-DY/050-M12		M12	9,8	16,0	46,0	13,0	25,0	14,0	15,0	72,0	86,0	40	~1,4 kg.	400	~14,0 kg	1,60	
AKP-DY/070-M10/SD	70	M10	11,2	18,5	54,0	10,5	28,0	15,0	17,5	86,0	101,0	25	~1,4 kg.	250	~14,0 kg	2,25	
AKP-DY/070-M12		M12	11,2	18,5	54,0	13,0	28,0	15,0	17,5	86,0	101,0	25	~1,4 kg.	250	~14,0 kg	2,25	
AKP-DY/095-M10	95	M10	13,2	22,0	59,0	10,5	32,0	15,5	17,5	90,0	105,5	15	~1,0 kg.	150	~10,0 kg	3,25	
AKP-DY/095-M12/SD		M12	13,2	22,0	59,0	13,0	32,0	15,5	17,5	90,0	105,5	15	~1,0 kg.	150	~10,0 kg	3,25	
AKP-DY/095-M16		M16	13,2	22,0	59,0	17,0	34,0	15,5	17,5	90,0	105,5	15	~1,0 kg.	150	~10,0 kg	3,25	
AKP-DY/120-M12/SD	120	M12	14,7	23,0	59,0	13,0	32,0	16,0	17,5	91,0	107,0	15	~0,9 kg.	150	~9,0 kg	3,75	
AKP-DY/120-M16		M16	14,7	23,0	59,0	17,0	34,0	16,0	17,5	91,0	107,0	15	~0,9 kg.	150	~9,0 kg	3,75	
AKP-DY/150-M12/SD	150	M12	16,3	25,0	62,0	13,0	35,0	17,5	20,0	103,0	120,5	12	~1,1 kg.	120	~11,0 kg	5,00	
AKP-DY/150-M16		M16	16,3	25,0	62,0	17,0	35,0	17,5	20,0	103,0	120,5	12	~1,1 kg.	120	~11,0 kg	5,00	
AKP-DY/150-M20		M20	16,3	25,0	62,0	21,0	41,0	17,5	20,0	103,0	120,5	12	~1,1 kg.	120	~11,0 kg	5,00	
AKP-DY/185-M12	185	M12	18,3	28,5	63,0	13,0	40,0	19,0	20,0	106,0	125,0	8	~1,1 kg.	80	~11,0 kg	6,50	
AKP-DY/185-M16/SD		M16	18,3	28,5	63,0	17,0	40,0	19,0	20,0	106,0	125,0	8	~1,1 kg.	80	~11,0 kg	6,50	
AKP-DY/185-M20		M20	18,3	28,5	63,0	21,0	40,0	19,0	20,0	106,0	125,0	8	~1,1 kg.	80	~11,0 kg	6,50	
AKP-DY/240-M12	240	M12	21,0	32,0	72,0	13,0	45,0	23,0	24,0	116,0	139,0	8	~1,4 kg.	80	~14,0 kg	9,00	
AKP-DY/240-M16/SD		M16	21,0	32,0	72,0	17,0	45,0	23,0	24,0	116,0	139,0	8	~1,4 kg.	80	~14,0 kg	9,00	
AKP-DY/240-M20		M20	21,0	32,0	72,0	21,0	45,0	23,0	24,0	116,0	139,0	8	~1,4 kg.	80	~14,0 kg	9,00	
AKP-DY/300-M16/SD	300	M16	23,3	34,0	74,0	17,0	49,0	24,0	25,0	124,0	148,0	5	~1,2 kg.	50	~12,0 kg	12,50	
AKP-DY/300-M20		M20	23,3	34,0	74,0	21,0	49,0	24,0	25,0	124,0	148,0	5	~1,2 kg.	50	~12,0 kg	12,50	
AKP-DY/400-M16/SD	400	M16	26,0	38,5	105,0	17,0	58,0	30,0	32,0	166,0	196,0	10	~3,3 kg.	100	~33,0 kg	21,50	
AKP-DY/400-M20		M20	26,0	38,5	105,0	21,0	58,0	30,0	32,0	166,0	196,0	10	~3,3 kg.	100	~33,0 kg	21,50	

AKP-DY Özellikleri

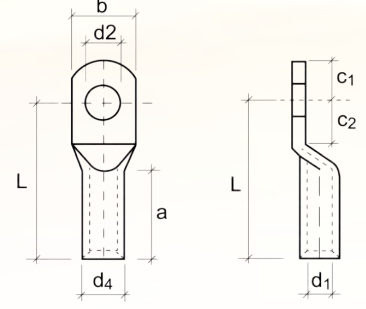
Hammadde	: Elektrolitik Alüminyum
Material	: Electrolytic Aluminium
Kaplama	: Doğal Parlak
Coating	: Natural Bright
Bağlantı	: Sıkma
Joint	: Clamp Coupling
DIN Normu 46329'a uygundur	
Conformed to DIN 46329	

Bu tabloda koyu yazı karakteri ile belirtilmiş olan kablo pabuçları standart üretimimizdir.

The cable lugs which are indicated in bold font, are standart products of **Simpa®**



AKP-DK ALÜMİNYUM KABLO PABUCU KALAY KAPLI OKSİT KORUMA YAĞLI DIN 46329 ALUMINIUM CABLE LUGS TIN PLATED WITH OXIDE PROTECTION OIL DIN 46329



*5846 sayılı yasa gereği fotoğrafların izinsiz yayınlanması ve kullanılması kesinlikle yasaktır.

ÜRÜN KODU Order Code	KABLO KESİTİ Cable Section (mm ²)	CIVATA DELİĞİ Bolt	BOYUTLAR Dimensions									KUTU ADEDİ Box Pcs.	KUTU AĞIRLIĞI Box Weight	KOLİ ADEDİ Parcel Pcs.	KOLİ AĞIRLIĞI Box Weight	BİRİM FİYATI Unit Price TL
			d1	d4	a	d2	b	c1	c2	L	L+c1					
AKP-DK/016-M08/SD	16	M8	5,8	12,0	34,0	8,5	18,0	10,0	11,5	52,0	62,0	100	~1,3 kg.	1.000	~13,0 kg	0,80
AKP-DK/016-M10		M10	5,8	12,0	34,0	10,5	18,0	10,0	11,5	52,0	62,0	100	~1,3 kg.	1.000	~13,0 kg	0,80
AKP-DK/025-M08/SD	25	M8	6,8	12,0	40,0	8,5	18,0	10,0	11,5	60,0	70,0	80	~1,1 kg.	800	~11,0 kg	0,90
AKP-DK/025-M10		M10	6,8	12,0	40,0	10,5	19,0	12,0	12,0	60,0	72,0	80	~1,1 kg.	800	~11,0 kg	0,90
AKP-DK/025-M12		M12	6,8	12,0	40,0	13,0	21,0	13,0	13,0	60,0	73,0	80	~1,1 kg.	800	~11,0 kg	0,90
AKP-DK/035-M08	35	M8	8,0	14,0	43,0	8,5	21,0	11,5	14,0	67,0	78,5	60	~1,3 kg.	600	~13,0 kg	1,20
AKP-DK/035-M10/SD		M10	8,0	14,0	43,0	10,5	21,0	11,5	14,0	67,0	78,5	60	~1,3 kg.	600	~13,0 kg	1,20
AKP-DK/035-M12		M12	8,0	14,0	43,0	13,0	21,0	11,5	14,0	67,0	78,5	60	~1,3 kg.	600	~13,0 kg	1,20
AKP-DK/050-M10/SD	50	M10	9,8	16,0	46,0	10,5	25,0	14,0	15,0	72,0	86,0	40	~1,4 kg.	400	~14,0 kg	1,70
AKP-DK/050-M12		M12	9,8	16,0	46,0	13,0	25,0	14,0	15,0	72,0	86,0	40	~1,4 kg.	400	~14,0 kg	1,70
AKP-DK/070-M10/SD	70	M10	11,2	18,5	54,0	10,5	28,0	15,0	17,5	86,0	101,0	25	~1,4 kg.	250	~14,0 kg	2,50
AKP-DK/070-M12		M12	11,2	18,5	54,0	13,0	28,0	15,0	17,5	86,0	101,0	25	~1,4 kg.	250	~14,0 kg	2,50
AKP-DK/095-M10	95	M10	13,2	22,0	59,0	10,5	32,0	15,5	17,5	90,0	105,5	15	~1,0 kg.	150	~10,0 kg	3,75
AKP-DK/095-M12/SD		M12	13,2	22,0	59,0	13,0	32,0	15,5	17,5	90,0	105,5	15	~1,0 kg.	150	~10,0 kg	3,75
AKP-DK/095-M16		M16	13,2	22,0	59,0	17,0	34,0	15,5	17,5	90,0	105,5	15	~1,0 kg.	150	~10,0 kg	3,75
AKP-DK/120-M12/SD	120	M12	14,7	23,0	59,0	13,0	32,0	16,0	17,5	91,0	107,0	15	~0,9 kg.	150	~9,0 kg	4,25
AKP-DK/120-M16		M16	14,7	23,0	59,0	17,0	34,0	16,0	17,5	91,0	107,0	15	~0,9 kg.	150	~9,0 kg	4,25
AKP-DK/150-M12/SD	150	M12	16,3	25,0	62,0	13,0	35,0	17,5	20,0	103,0	120,5	12	~1,1 kg.	120	~11,0 kg	5,50
AKP-DK/150-M16		M16	16,3	25,0	62,0	17,0	35,0	17,5	20,0	103,0	120,5	12	~1,1 kg.	120	~11,0 kg	5,50
AKP-DK/150-M20		M20	16,3	25,0	62,0	21,0	41,0	17,5	20,0	103,0	120,5	12	~1,1 kg.	120	~11,0 kg	5,50
AKP-DK/185-M12	185	M12	18,3	28,5	63,0	13,0	40,0	19,0	20,0	106,0	125,0	8	~1,1 kg.	80	~11,0 kg	7,40
AKP-DK/185-M16/SD		M16	18,3	28,5	63,0	17,0	40,0	19,0	20,0	106,0	125,0	8	~1,1 kg.	80	~11,0 kg	7,40
AKP-DK/185-M20		M20	18,3	28,5	63,0	21,0	40,0	19,0	20,0	106,0	125,0	8	~1,1 kg.	80	~11,0 kg	7,40
AKP-DK/240-M12	240	M12	21,0	32,0	72,0	13,0	45,0	23,0	24,0	116,0	139,0	8	~1,4 kg.	80	~14,0 kg	10,00
AKP-DK/240-M16/SD		M16	21,0	32,0	72,0	17,0	45,0	23,0	24,0	116,0	139,0	8	~1,4 kg.	80	~14,0 kg	10,00
AKP-DK/240-M20		M20	21,0	32,0	72,0	21,0	45,0	23,0	24,0	116,0	139,0	8	~1,4 kg.	80	~14,0 kg	10,00
AKP-DK/300-M16/SD	300	M16	23,3	34,0	74,0	17,0	49,0	24,0	25,0	124,0	148,0	5	~1,2 kg.	50	~12,0 kg	14,00
AKP-DK/300-M20		M20	23,3	34,0	74,0	21,0	49,0	24,0	25,0	124,0	148,0	5	~1,2 kg.	50	~12,0 kg	14,00
AKP-DK/400-M16/SD	400	M16	26,0	38,5	105,0	17,0	58,0	30,0	32,0	166,0	196,0	10	~3,3 kg.	100	~33,0 kg	24,00
AKP-DK/400-M20		M20	26,0	38,5	105,0	21,0	58,0	30,0	32,0	166,0	196,0	10	~3,3 kg.	100	~33,0 kg	24,00

AKP-DK Özellikleri

Hammadde	: Elektrolitik Alüminyum
Material	: Electrolytic Aluminium
Kaplama	: Kalay
Coating	: Tin Plated
Bağlantı	: Sıkma
Joint	: Clamp Coupling
DIN Normu 46329'a uygundur Conformed to DIN 46329	



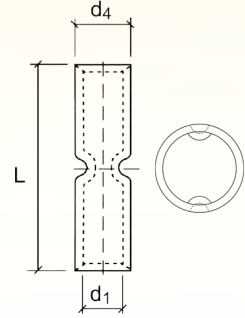
Bu tabloda koyu yazı karakteri ile belirtilmiş olan kablo pabuçları standart üretimimizdir.
The cable lugs which are indicated in bolt font, are standart products of **Simpa**

AEM-D ALÜMİNYUM SIKMALI EK MUFLARI DIN 46267-2

DIN 46267-2 TYPE ALUMINIUM BUTT CONNECTORS



*5846 sayılı yasa gereği fotoğrafların izinsiz yayınlanması ve kullanılması kesinlikle yasaktır.



ÜRÜN KODU Order Code	KABLO KESİTİ Cable Section (mm ²)	BOYUTLAR Dimensions			KUTU ADEDİ Box Pcs.	KUTU AĞIRLIĞI Box Weight	KOLİ ADEDİ Parcel Pcs.	KOLİ AĞIRLIĞI Box Weight	BİRİM FİYATI Unit Price TL
		d1	d4	L					
AEM-D/016	16	5,8	12,0	60,0	110	~1,5 kg.	1.100	~15,0 kg	0,60
AEM-D/025	25	6,8	12,0	70,0	100	~1,5 kg.	1.000	~15,0 kg	0,80
AEM-D/035	35	8,0	14,0	85,0	60	~1,4 kg.	600	~14,0 kg	1,00
AEM-D/050	50	9,8	16,0	85,0	45	~1,3 kg.	450	~13,0 kg	1,50
AEM-D/070	70	11,2	18,5	105,0	20	~1,0 kg.	200	~10,0 kg	2,00
AEM-D/095	95	13,2	22,0	105,0	12	~0,9 kg.	120	~9,0 kg	3,00
AEM-D/120	120	14,7	23,0	105,0	12	~0,9 kg.	120	~9,0 kg	3,50
AEM-D/150	150	16,3	25,0	125,0	10	~1,0 kg.	100	~10,0 kg	4,50
AEM-D/185	185	18,3	28,5	125,0	8	~1,1 kg.	80	~11,0 kg	6,00
AEM-D/240	240	21,0	32,0	145,0	6	~1,1 kg.	60	~11,0 kg	8,00
AEM-D/300	300	23,3	34,0	145,0	6	~1,2 kg.	60	~12,0 kg	10,00
AEM-D/400	400	26,0	38,5	210,0	10	~3,5 kg.	100	~35,0 kg	20,00

AEM-D Özellikleri

Ham madde	: Elektrolitik Alüminyum
Material	: Electrolytic Aluminium
Kaplama	: Doğal Parlak
Coating	: Natural Bright
Bağlantı	: Sıkma
Joint	: Clamp Coupling

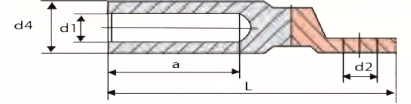
DIN Normu 46267-2'ye uygundur
Conformed to DIN 46267-2



BKP-D BİMETAL KABLO PABUÇLARI (AL-CU) BIMETALLIC CABLE LUGS (AL-CU)



*5846 sayılı yasa gereği fotoğrafların izinsiz yayınlanması ve kullanılması kesinlikle yasaktır.



ÜRÜN KODU Order Code	KABLO KESİTİ Cable Section (mm ²)	CIVATA DELİĞİ Bolt	BOYUTLAR Dimensions					KUTU ADEĐİ Box Pcs.	KUTU AĞIRLIĞI Box Weight	KOLİ ADEĐİ Parcel Pcs.	KOLİ AĞIRLIĞI Box Weight	BİRİM FİYATI Unit Price TL
			d1	d4	a	d2	L					
BKP-D/016-M12/SD	16	M12	6,0	16,0	42,0	13,0	90,0	40	~2,1 kg.	400	~21,0 kg	8,50
BKP-D/025-M12/SD	25	M12	7,0	16,0	42,0	13,0	90,0	40	~2,0 kg.	400	~20,0 kg	8,50
BKP-D/035-M12/SD	35	M12	8,5	16,0	42,0	13,0	90,0	40	~2,0 kg.	400	~20,0 kg	9,00
BKP-D/050-M12/SD	50	M12	9,6	20,0	43,0	13,0	90,0	30	~2,0 kg.	300	~20,0 kg	11,00
BKP-D/070-M12/SD	70	M12	11,5	20,0	43,0	13,0	90,0	30	~2,0 kg.	300	~20,0 kg	11,00
BKP-D/095-M12/SD	95	M12	13,5	20,0	43,0	13,0	90,0	30	~1,8 kg.	300	~18,0 kg	12,00
BKP-D/120-M12/SD	120	M12	15,0	25,0	60,0	13,0	115,0	15	~1,9 kg.	150	~19,0 kg	19,00
BKP-D/150-M12/SD	150	M12	16,6	25,0	60,0	13,0	115,0	15	~1,8 kg.	150	~18,0 kg	19,00
BKP-D/185-M12/SD	185	M12	18,5	32,0	60,0	13,0	122,0	8	~1,8 kg.	80	~18,0 kg	31,00
BKP-D/240-M12/SD	240	M12	21,0	32,0	60,0	13,0	122,0	8	~1,7 kg.	80	~17,0 kg	31,00
BKP-D/300-M12/SD	300	M12	23,0	34,0	62,0	13,0	125,0	8	~1,8 kg.	80	~18,0 kg	53,00
BKP-D/400-M12/SD	400	M12	26,0	38,0	70,0	13,0	159,0	5	~1,9 kg.	50	~19,0 kg	60,00
BKP-D/500-M18/SD	500	M18	29,0	47,0	75,0	19,0	167,0	3	~1,8 kg.	30	~18,0 kg	128,00
BKP-D/625-M20/SD	625	M20	34,0	54,0	80,0	21,0	200,0	8	~6,8 kg.	48	~68,0 kg	180,00

BKP-D Özellikleri

Hammadde	: Elektrolitik Bakır / Alüminyum
Material	: Electrolytic Copper / Aluminium
Kaplama	: Doğal Parlak
Coating	: Natural Bright
Bağlantı	: Sıkma
Joint	: Clamp Coupling

DIN Normu 48201 Alüminyum Kabloya Uygundur

Conformed to DIN 48201 Aluminium Cable

DIN Normu 46329 Boru Ölçüsüne Uygundur

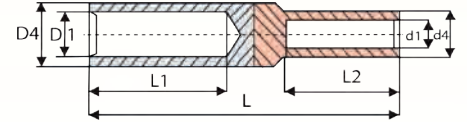
Conformed to DIN 46329 Tube Dimensions



BEM-D BİMETAL EK MUFLARI (AL-CU) BIMETALLIC BUTT CONNECTORS (AL-CU)



*5846 sayılı yasa gereği fotoğrafların izinsiz yayınlanması ve kullanılması kesinlikle yasaktır.



ÜRÜN KODU Order Code	KABLO KESİTİ Cable Section (mm ²)	BOYUTLAR Dimensions							KUTU ADEDİ Box Pcs.	KUTU AĞIRLIĞI Box Weight	KOLİ ADEDİ Parcel Pcs.	KOLİ AĞIRLIĞI Box Weight	BİRİM FİYATI Unit Price TL
		D1	D4	d1	d4	L1	L2	L					
BEM-D/010-006	10 / 6	5,5	10,0	5,0	9,0	32,0	25,0	70,0	140	~2,6 kg.	1.400	~26,0 kg	6,00
BEM-D/016-010	16 / 10	5,5	10,0	5,5	9,0	35,0	28,0	75,0	140	~2,5 kg.	1.400	~25,0 kg	6,00
BEM-D/025-016	25 / 16	7,0	12,0	6,0	10,0	37,0	30,0	80,0	100	~2,6 kg.	1.000	~26,0 kg	6,60
BEM-D/035-025	35 / 25	8,5	14,0	7,0	11,0	44,0	32,0	90,0	70	~2,3 kg.	700	~23,0 kg	8,00
BEM-D/050-035	50 / 35	9,5	16,0	8,5	12,0	45,0	34,0	95,0	70	~2,6 kg.	700	~26,0 kg	8,50
BEM-D/070-050	70 / 50	12,0	18,0	9,5	14,0	46,0	35,0	100,0	35	~2,0 kg.	350	~20,0 kg	11,00
BEM-D/095-070	95 / 70	13,0	21,0	12,0	16,0	51,0	41,0	110,0	20	~1,4 kg.	200	~14,0 kg	14,50
BEM-D/120-095	120 / 95	15,0	23,0	13,0	18,0	52,0	43,0	112,0	15	~1,5 kg.	150	~15,0 kg	19,50
BEM-D/150-120	150 / 120	16,0	25,0	15,0	20,0	54,0	44,0	118,0	12	~2,0 kg.	120	~20,0 kg	24,00
BEM-D/185-150	185 / 150	18,0	27,0	16,0	22,0	58,0	47,0	125,0	12	~1,9 kg.	120	~19,0 kg	32,50
BEM-D/240-185	240 / 185	20,0	30,0	18,0	25,0	60,0	48,0	130,0	10	~1,8 kg.	100	~18,0 kg	33,50
BEM-D/300-240	300 / 240	23,0	34,0	20,0	27,0	65,0	55,0	140,0	6	~2,3 kg.	60	~23,0 kg	60,00
BEM-D/400-300	400 / 300	26,0	38,0	24,0	30,0	70,0	60,0	150,0	6	~1,9 kg.	60	~19,0 kg	88,00
BEM-D/500-400	500 / 400	29,0	42,0	26,0	34,0	75,0	65,0	160,0	4	~1,8 kg.	40	~18,0 kg	114,00
BEM-D/625-500	625 / 500	34,0	54,0	30,0	38,0	80,0	70,0	170,0	1	~0,7 kg.	10	~7,0 kg	162,00

BEM-D Özellikleri

Ham madde	: Elektrolitik Bakır / Alüminyum
Material	: Electrolytic Copper / Aluminium
Kaplama	: Doğal Parlak
Coating	: Natural Bright
Bağlantı	: Sıkma
Joint	: Clamp Coupling



1 TBE MONOFAZE ERKEK İZOLELİ BARALAR

1 PHASE INSULATED COMB BUSBARS PIN TYPE



*5846 sayılı yasa gereği fotoğrafların izinsiz yayınlanması ve kullanılması kesinlikle yasaktır.

ÜRÜN KODU Order Code	MODÜL Module	BAKIR KALINLIĞI Copper Thickness	MAKSİMUM AKIM DEĞERİ Maximum Current Value	ÇALIŞMA GERİLİMİ Operating Voltage	KUTU ADEĐİ Box Pcs.	KUTU AĞIRLIĞI Box Weight	KOLİ ADEĐİ Parcel Pcs.	KOLİ AĞIRLIĞI Box Weight	BİRİM FİYATI Unit Price TL
1TBE-30/1,0	30 OTOMAT İÇİN - 30 Modules	1,0 mm.	80 A	230 - 400 V	30	~3,0 kg.	150	~15,0 kg	12,50
1TBE-MT/1,0	56 OTOMAT İÇİN - 56 Modules	1,0 mm.	80 A	230 - 400 V	30	~5,9 kg.	90	~17,7 kg	22,00
1TBE-12/1,5	12 OTOMAT İÇİN - 12 Modules	1,5 mm.	100 A	230 - 400 V	60	~3,0 kg.	300	~15,0 kg	6,00
1TBE-18/1,5	18 OTOMAT İÇİN - 18 Modules	1,5 mm.	100 A	230 - 400 V	30	~2,3 kg.	150	~11,5 kg	9,00
1TBE-24/1,5	24 OTOMAT İÇİN - 24 Modules	1,5 mm.	100 A	230 - 400 V	30	~3,1 kg.	150	~15,5 kg	12,00
1TBE-30/1,5	30 OTOMAT İÇİN - 30 Modules	1,5 mm.	100 A	230 - 400 V	30	~3,7 kg.	150	~18,5 kg	15,00
1TBE-MT/1,5	56 OTOMAT İÇİN - 56 Modules	1,5 mm.	100 A	230 - 400 V	30	~7,1 kg.	90	~21,3 kg	28,00

2 TBE İKİ FAZLI ERKEK İZOLELİ BARALAR

2 PHASE INSULATED COMB BUSBARS PIN TYPE



*5846 sayılı yasa gereği fotoğrafların izinsiz yayınlanması ve kullanılması kesinlikle yasaktır.

ÜRÜN KODU Order Code	MODÜL Module	BAKIR KALINLIĞI Copper Thickness	MAKSİMUM AKIM DEĞERİ Maximum Current Value	ÇALIŞMA GERİLİMİ Operating Voltage	KUTU ADEĐİ Box Pcs.	KUTU AĞIRLIĞI Box Weight	KOLİ ADEĐİ Parcel Pcs.	KOLİ AĞIRLIĞI Box Weight	BİRİM FİYATI Unit Price TL
2TBE-06/1,0	6 GRUP İÇİN - 6 Modules	1,0 mm.	80 A	230 - 400 V	24	~2,2 kg.	120	~11,0 kg	11,25
2TBE-09/1,0	9 GRUP İÇİN - 9 Modules	1,0 mm.	80 A	230 - 400 V	12	~1,7 kg.	60	~8,5 kg	16,25
2TBE-12/1,0	12 GRUP İÇİN - 12 Modules	1,0 mm.	80 A	230 - 400 V	12	~2,2 kg.	60	~11,0 kg	21,25
2TBE-15/1,0	15 GRUP İÇİN - 15 Modules	1,0 mm.	80 A	230 - 400 V	12	~2,7 kg.	60	~13,5 kg	26,25
2TBE-MT/1,0	28 GRUP İÇİN - 28 Modules	1,0 mm.	80 A	230 - 400 V	10	~4,3 kg.	30	~12,9 kg	50,00
2TBE-06/1,5	6 GRUP İÇİN - 6 Modules	1,5 mm.	100 A	230 - 400 V	24	~1,4 kg.	120	~7,0 kg	13,75
2TBE-09/1,5	9 GRUP İÇİN - 9 Modules	1,5 mm.	100 A	230 - 400 V	12	~2,1 kg.	60	~10,5 kg	21,25
2TBE-12/1,5	12 GRUP İÇİN - 12 Modules	1,5 mm.	100 A	230 - 400 V	12	~2,7 kg.	60	~13,5 kg	27,50
2TBE-15/1,5	15 GRUP İÇİN - 15 Modules	1,5 mm.	100 A	230 - 400 V	12	~3,4 kg.	60	~17,0 kg	35,00
2TBE-MT/1,5	28 GRUP İÇİN - 28 Modules	1,5 mm.	100 A	230 - 400 V	10	~5,5 kg.	30	~16,5 kg	65,00

3 TBE TRİFAZE ERKEK İZOLELİ BARALAR 3 PHASE INSULATED COMB BUSBARS PIN TYPE



*5846 sayılı yasa gereği fotoğrafların izinsiz yayınlanması ve kullanılması kesinlikle yasaktır.

ÜRÜN KODU Order Code	MODÜL Module	BAKIR KALINLIĞI Copper Thickness	MAKSİMUM AKIM DEĞERİ Maximum Current Value	ÇALIŞMA GERİLİMİ Operating Voltage	KUTU ADEĐİ Box Pcs.	KUTU AĞIRLIĞI Box Weight	KOLİ ADEĐİ Parcel Pcs.	KOLİ AĞIRLIĞI Box Weight	BİRİM FİYATI Unit Price TL
3TBE-04/1,0	4 GRUP İÇİN - 4 Modules	1,0 mm.	80 A	230 - 400 V	24	~2,5 kg.	120	~12,5 kg	12,00
3TBE-06/1,0	6 GRUP İÇİN - 6 Modules	1,0 mm.	80 A	230 - 400 V	12	~2,0 kg.	60	~10,0 kg	18,00
3TBE-08/1,0	8 GRUP İÇİN - 8 Modules	1,0 mm.	80 A	230 - 400 V	12	~2,6 kg.	60	~13,0 kg	24,00
3TBE-10/1,0	10 GRUP İÇİN - 10 Modules	1,0 mm.	80 A	230 - 400 V	12	~3,2 kg.	60	~16,0 kg	30,00
3TBE-MT/1,0	19 GRUP İÇİN - 19 Modules	1,0 mm.	80 A	230 - 400 V	10	~5,3 kg.	30	~15,9 kg	57,00
3TBE-04/1,5	4 GRUP İÇİN - 4 Modules	1,5 mm.	100 A	230 - 400 V	24	~3,2 kg.	120	~16,0 kg	17,00
3TBE-06/1,5	6 GRUP İÇİN - 6 Modules	1,5 mm.	100 A	230 - 400 V	12	~2,6 kg.	60	~13,0 kg	25,50
3TBE-08/1,5	8 GRUP İÇİN - 8 Modules	1,5 mm.	100 A	230 - 400 V	12	~3,3 kg.	60	~16,5 kg	34,00
3TBE-10/1,5	10 GRUP İÇİN - 10 Modules	1,5 mm.	100 A	230 - 400 V	12	~4,2 kg.	60	~21,0 kg	42,50
3TBE-MT/1,5	19 GRUP İÇİN - 19 Modules	1,5 mm.	100 A	230 - 400 V	10	~6,8 kg.	30	~20,4 kg	80,75

4 TBE ÜÇ FAZ + NÖTR ERKEK İZOLELİ BARALAR THREE PHASE + NEUTRAL INSULATED COMB BUSBARS PIN TYPE



*5846 sayılı yasa gereği fotoğrafların izinsiz yayınlanması ve kullanılması kesinlikle yasaktır.

ÜRÜN KODU Order Code	MODÜL Module	BAKIR KALINLIĞI Copper Thickness	MAKSİMUM AKIM DEĞERİ Maximum Current Value	ÇALIŞMA GERİLİMİ Operating Voltage	KUTU ADEĐİ Box Pcs.	KUTU AĞIRLIĞI Box Weight	KOLİ ADEĐİ Parcel Pcs.	KOLİ AĞIRLIĞI Box Weight	BİRİM FİYATI Unit Price TL
4TBE-04/1,5	4 GRUP İÇİN - 4 Modules	1,5 mm.	100 A	230 - 400 V	8	~2,0 kg.	40	~10,0 kg	36,00
4TBE-05/1,5	5 GRUP İÇİN - 5 Modules	1,5 mm.	100 A	230 - 400 V	8	~2,8 kg.	40	~14,0 kg	45,00
4TBE-06/1,5	6 GRUP İÇİN - 6 Modules	1,5 mm.	100 A	230 - 400 V	8	~3,0 kg.	40	~15,0 kg	54,00
4TBE-07/1,5	7 GRUP İÇİN - 7 Modules	1,5 mm.	100 A	230 - 400 V	8	~3,5 kg.	40	~17,5 kg	63,00
4TBE-08/1,5	8 GRUP İÇİN - 8 Modules	1,5 mm.	100 A	230 - 400 V	8	~3,9 kg.	40	~19,5 kg	72,00
4TBE-MT/1,5	14 GRUP İÇİN - 14 Modules	1,5 mm.	100 A	230 - 400 V	8	~6,8 kg.	24	~20,4 kg	126,00

3 TBD TRİFAZE DİŞİ İZOLELİ BARALAR

3 PHASE INSULATED COMB BUSBARS FORK TYPE



*5846 sayılı yasa gereği fotoğrafların izinsiz yayınlanması ve kullanılması kesinlikle yasaktır.

ÜRÜN KODU Order Code	MODÜL Module	BAKIR KALINLIĞI Copper Thickness	MAKSİMUM AKIM DEĞERİ Maximum Current Value	ÇALIŞMA GERİLİMİ Operating Voltage	KUTU ADEDİ Box Pcs.	KUTU AĞIRLIĞI Box Weight	BİRİM FİYATI TL Unit Price TL
3TBD-04/1,0	4 GRUP İÇİN - 4 Modules	1,0 mm.	80 A	230 - 400 V	24	~2,3 kg.	14,00
3TBD-06/1,0	6 GRUP İÇİN - 6 Modules	1,0 mm.	80 A	230 - 400 V	12	~2,1 kg.	21,00
3TBD-08/1,0	8 GRUP İÇİN - 8 Modules	1,0 mm.	80 A	230 - 400 V	12	~2,5 kg.	28,00
3TBD-10/1,0	10 GRUP İÇİN - 10 Modules	1,0 mm.	80 A	230 - 400 V	12	~3,4 kg.	35,00
3TBD-04/1,5	4 GRUP İÇİN - 4 Modules	1,5 mm.	100 A	230 - 400 V	24	~3,6 kg.	20,00
3TBD-06/1,5	6 GRUP İÇİN - 6 Modules	1,5 mm.	100 A	230 - 400 V	12	~2,7 kg.	30,00
3TBD-08/1,5	8 GRUP İÇİN - 8 Modules	1,5 mm.	100 A	230 - 400 V	12	~3,6 kg.	40,00
3TBD-10/1,5	10 GRUP İÇİN - 10 Modules	1,5 mm.	100 A	230 - 400 V	12	~4,5 kg.	50,00

BARA TAPALARI

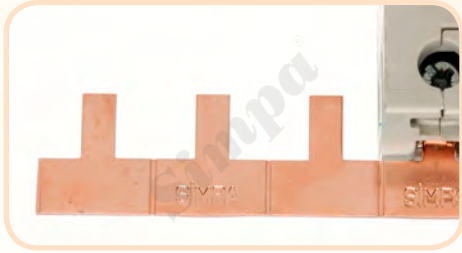
PROTECTIVE BUSBAR CAPS



ÜRÜN KODU Order Code	PAKET ADEDİ Package Pcs.	PAKET AĞIRLIĞI Package Weight	PAKET FİYATI TL Unit Price TL
MONOFAZE BARA TAPASI MonoPhase Protective Busbar Caps	150	~0,1 kg.	12,00
İKİ ve ÜÇ FAZ BARA TAPASI 2 & 3 Phase Protective Busbar Caps	125	~0,1 kg.	13,75
TRİFAZE + NÖTR BARA TAPASI 3+ N Phase Protective Busbar Caps	75	~0,1 kg.	11,55



1BOB-E MONOFAZE ERKEK İZOLESİZ BAKIR BARALAR 1 PHASE NON-INSULATED COMB BUSBARS PIN TYPE



*5846 sayılı yasa gereği fotoğrafların izinsiz yayınlanması ve kullanılması kesinlikle yasaktır.

ÜRÜN KODU Order Code	KULLANIM YERİ Be Used	BAKIR KALINLIĞI Copper Thickness	KUTU ADEDİ Box Pcs.	KUTU AĞIRLIĞI Box Weight	KOLİ ADEDİ Parcel Pcs.	KOLİ AĞIRLIĞI Box Weight	BİRİM FİYATI TL Unit Price TL
1BOB-E/1,5	Monofaze N Otomat	1,5 mm.	20	~3,3 kg.			19,00
1BOB-E/2,0	Monofaze N Otomat	2,0 mm.	20				24,00

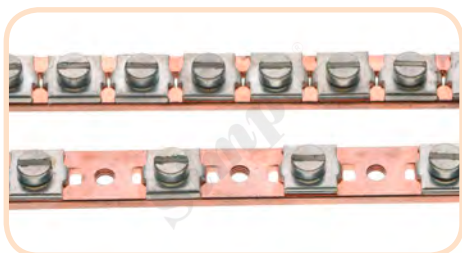
1BOB-D MONOFAZE DIŞI İZOLESİZ BAKIR BARALAR 1 PHASE NON-INSULATED COMB BUSBARS PIN TYPE



*5846 sayılı yasa gereği fotoğrafların izinsiz yayınlanması ve kullanılması kesinlikle yasaktır.

ÜRÜN KODU Order Code	KULLANIM YERİ Be Used	BAKIR KALINLIĞI Copper Thickness	KUTU ADEDİ Box Pcs.	KUTU AĞIRLIĞI Box Weight	KOLİ ADEDİ Parcel Pcs.	KOLİ AĞIRLIĞI Box Weight	BİRİM FİYATI TL Unit Price TL
1BOB-D/1,5	Monofaze W Otomat		20				
1BOB-D/2,0	Monofaze W Otomat	2,0 mm.	20	~4,6 kg.			21,00

KUB (NÖTR) BAKIR TOPRAKLAMA BARALARI EARTHING BARS



*5846 sayılı yasa gereği fotoğrafların izinsiz yayınlanması ve kullanılması kesinlikle yasaktır.

ÜRÜN KODU Order Code	KULLANIM YERİ Be Used	BAKIR KALINLIĞI Copper Thickness	KUTU ADEDİ Box Pcs.	KUTU AĞIRLIĞI Box Weight	KOLİ ADEDİ Parcel Pcs.	KOLİ AĞIRLIĞI Box Weight	BİRİM FİYATI TL Unit Price TL
KUB-1,5/31	31 VİDA	1,5X15,0	10	~3,3 kg.	40	~13,2 kg	27,50
KUB-1,5/61	61 VİDA	1,5X15,0	10	~4,6 kg.	40	~18,4 kg	31,25
KUB-2,0/31	31 VİDA	2,0X15,0	10	~3,9 kg.	40	~15,6 kg	34,50
KUB-2,0/61	61 VİDA	2,0X15,0	10	~5,2 kg.	40	~20,8 kg	38,75
KUB-3,0/31	31 VİDA	3,0X15,0	10	~5,0 kg.	40	~20,0 kg	48,75
KUB-3,0/61	61 VİDA	3,0X15,0	10	~6,3 kg.	40	~25,2 kg	53,75

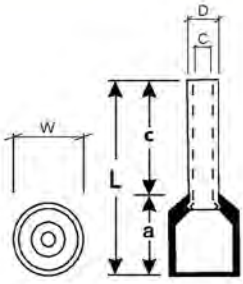
SP-IKY İZOLELİ KABLO YÜKSÜKLERİ

INSULATED CABLE END-SLEEVES



*5846 sayılı yasa gereği fotoğrafların izinsiz yayınlanması ve kullanılması kesinlikle yasaktır.

ÜRÜN KODU Order Code	KABLO KESİTİ Cable Section (mm ²)	BOYUTLAR Dimensions						RENK Color	KUTU ADEDİ Box Pcs.	KUTU AĞIRLIĞI Box Weight	BİRİM FİYATI Unit Price TL	KUTU FİYATI Box Price TL
		a	c	L	W	D	C					
SP-IKY/0,50-8	0,5	6,0	8,0	14,0	2,6	1,3	1,0	Turuncu	1.000	~0,2 kg.	0,025	25,00
SP-IKY/0,75-8	0,75	6,0	8,0	14,0	2,8	1,5	1,2	Beyaz	1.000	~0,3 kg.	0,025	25,00
SP-IKY/1,0-8	1	6,0	8,0	14,0	3	1,7	1,4	Sarı	500	~0,1 kg.	0,025	12,50
SP-IKY/1,5-8	1,5	6,0	8,0	14,0	3,5	2,0	1,7	Kırmızı	500	~0,1 kg.	0,028	14,00
SP-IKY/2,5-8	2,5	7,0	8,0	15,0	4	2,6	2,3	Mavi	500	~0,3 kg.	0,032	16,00
SP-IKY/4-10	4	6,0	9,0	16,0	4,4	3,2	2,8	Gri	250	~0,1 kg.	0,057	14,25
SP-IKY/6-12	6	8,0	12,0	20,0	6,3	3,9	3,5	Siyah	200	~0,2 kg.	0,074	14,80
SP-IKY/10-12	10	9,0	12,0	21,0	7,6	4,9	4,5	Fildişi	100	~0,1 kg.	0,098	9,80
SP-IKY/16-12	16	10,0	12,0	22,0	8,8	6,2	5,8	Yeşil	50	~0,1 kg.	0,145	7,25
SP-IKY/25-16	25	13,0	16,0	29,0	11,2	7,9	7,5	Kahve	50	~0,1 kg.	0,230	11,50
SP-IKY/35-16	35	14,0	16,0	30,0	12,7	8,7	8,3	Bej	20	~0,1 kg.	0,285	5,70
SP-IKY/50-20	50	16,0	20,0	36,0	15,3	10,9	10,3	Z. Yeşili	20	~0,1 kg.	0,500	10,00



IKY Özellikleri

Hammadde	: Bakır
Material	: Copper
Kaplama	: Kalay
Coating	: Tin Plated
İzolasyon	: Naylon
Insulation	: Nylon
Norm	: DIN 46228
Conformed to	: DIN 46228

Yüksük kodlarımızda, birinci rakamlar kesiti, ikinci rakamlar yüksük boylarını göstermektedir.

For the insulated connectors, the first part of the product code indicates the diameter and the second part of the product code indicates length of the product.

Alman Renk Normuna Uygundur.

Conformed to German Color Standard.

SP-KY İZOLESİZ KABLO YÜKSÜKLERİ

NON-INSULATED SLEEVES



*5846 sayılı yasa gereği fotoğrafların izinsiz yayınlanması ve kullanılması kesinlikle yasaktır.

ÜRÜN KODU Order Code	KABLO KESİTİ Cable Section (mm ²)	BOYUTLAR Dimensions				KUTU ADEDİ Box Pcs.	KUTU AĞIRLIĞI Box Weight	ADET FİYATI TL Unit Price TL	KUTU FİYATI TL Box Price TL
		L	W	D	C				
SP-KY/0,50-10	0,5	10	1,7	1,3	1,0	1.000	~0,1 kg.	0,022	22,00
SP-KY/0,75-10	0,75	10	1,9	1,5	1,2	1.000	~0,1 kg.	0,022	22,00
SP-KY/1,0-10	1	10	2,2	1,8	1,4	1.000	~0,1 kg.	0,022	22,00
SP-KY/1,5-10	1,5	10	2,5	2,0	1,7	1.000	~0,1 kg.	0,026	26,00
SP-KY/2,5-12	2,5	12	3,3	2,6	2,2	1.000	~0,1 kg.	0,036	36,00
SP-KY/4-12	4	12	3,9	3,2	2,8	500	~0,1 kg.	0,050	25,00
SP-KY/6-12	6	12	4,8	3,9	3,5	250	~0,1 kg.	0,065	16,25
SP-KY/10-12	10	12	5,8	4,9	4,5	250	~0,1 kg.	0,080	20,00
SP-KY/16-12	16	12	7,2	6,2	5,8	100	~0,1 kg.	0,110	11,00
SP-KY/25-15	25	16	9,1	7,9	7,5	100	~0,1 kg.	0,210	21,00
SP-KY/35-15	35	16	10,2	8,7	8,3	50	~0,1 kg.	0,235	11,75
SP-KY/50-20	50	20	12,4	10,9	10,3	40	~0,1 kg.	0,550	22,00

KY Özellikleri

Hammadde	: Bakır
Material	: Copper
Kaplama	: Kalay
Coating	: Tin Plated

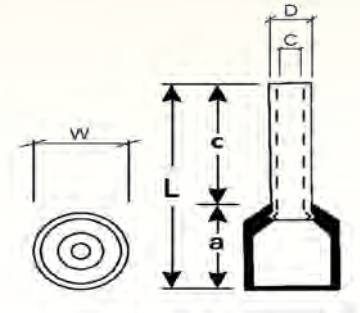
Yüksük kodlarımızda, birinci rakamlar kesiti, ikinci rakamlar yüksük boylarını göstermektedir.

For the connectors, the first part of the product code indicates the diameter and the second part of the product code indicates length of the product.



SP-IKY/2

İZOLELİ ÇİFT GİRİŞLİ KABLO YÜKSÜKLERİ INSULATED TWIN CABLE END-SLEEVES



*5846 sayılı yasa gereği fotoğrafların izinsiz yayınlanması ve kullanılması kesinlikle yasaktır.

ÜRÜN KODU Order Code	KABLO KESİTİ Cableection (mm ²)	BOYUTLAR Dimensions						RENK Color	KUTU ADEDİ Box Pcs.	KUTU AĞIRLIĞI Box Weight	ADET FİYATI TL Unit Price TL	KUTU FİYATI TL Box Price TL	
		a	c	L	W	D	C						
SP-IKY/2X0,5-8	2X0,5	7,0	8,0	15,0	5,0	1,8	1,5	Beyaz	○	500	~0,1 kg.	0,052	26,00
SP-IKY/2X0,75-8	2X0,75	7,0	8,0	15,0	5,5	2,1	1,8	Mavi	●	500	~0,1 kg.	0,052	26,00
SP-IKY/2X1,0-8	2X1	7,0	8,0	15,0	5,5	2,3	2,0	Kırmızı	●	500	~0,1 kg.	0,055	27,50
SP-IKY/2X1,5-8	2X1,5	7,0	8,0	15,0	6,4	2,6	2,3	Siyah	●	250	~0,1 kg.	0,077	19,25
SP-IKY/2X2,5-10	2X2,5	9,0	10,0	19,0	8,0	3,3	2,9	Gri	●	200	~0,1 kg.	0,096	19,20
SP-IKY/2X4-12	2X4	11,0	12,0	23,0	8,8	4,2	3,8	Turuncu	●	100	~0,1 kg.	0,132	13,20
SP-IKY/2X6-14	2X6	12,0	14,0	26,0	9,5	5,3	4,9	Yeşil	●	75	~0,1 kg.	0,190	14,25
SP-IKY/2X10-14	2X10	13,0	14,0	27,0	12,6	6,9	6,5	Kahverengi	●	50	~0,1 kg.	0,270	13,50
SP-IKY/2X16-14	2X16	17,0	14,0	31,0	19,0	8,7	8,3	Bej	○	25	~0,1 kg.	0,320	8,00

IKY/2 Özellikleri

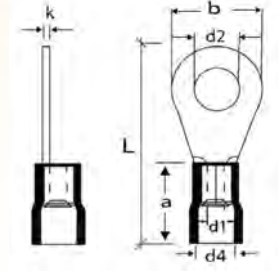
Ham madde	: Bakır
Material	: Copper
Kaplama	: Kalay
Coating	: Tin Plated
İzolasyon	: Naylon
Insulation	: Nylon

Yüksük kodlarımızda, birinci rakamlar kesiti, ikinci rakamlar yüksük boylarını göstermektedir.

For the insulated connectors, the first part of the product code indicates the diameter and the second part of the product code indicates length of the product.

SP-YK İZOLELİ YUVARLAK TİP KABLO PABUÇLARI

INSULATED RING TYPE TERMINALS



*5846 sayılı yasa gereği fotoğrafların izinsiz yayınlanması ve kullanılması kesinlikle yasaktır.

ÜRÜN KODU Order Code	KABLO KESİTİ Cable Section (mm ²)	CIVATA DELİĞİ Bolt	BOYUTLAR Dimensions								RENK Color	KUTU ADEDİ Box Pcs.	KUTU AĞIRLIĞI Box Weight	ADET FİYATI TL Unit Price TL	KUTU FİYATI TL Box Price TL
			d1	d4	a	d2	b	L	K						
SP-YK/301	0,5-1,5	M3	1,6	4,3	10,0	3,2	5,7	16,0	0,7	Kırmızı	●	200	~0,2 kg.	0,085	17,00
SP-YK/401		M4	1,6	4,3	10,0	4,3	8,0	17,2	0,7	Kırmızı	●	200	~0,2 kg.	0,090	18,00
SP-YK/501		M5	1,6	4,3	10,0	5,3	9,8	18,0	0,7	Kırmızı	●	200	~0,2 kg.	0,110	22,00
SP-YK/601		M6	1,6	4,3	10,0	6,4	11,6	18,0	0,7	Kırmızı	●	200	~0,2 kg.	0,130	26,00
SP-YK/801		M8	2,3	4,3	10,0	8,4	11,6	22,0	0,7	Kırmızı	●	200	~0,2 kg.	0,165	33,00
SP-YK/302	1,5-2,5	M3	2,3	4,9	10,0	3,2	6,6	16,0	0,8	Mavi	●	200	~0,2 kg.	0,100	20,00
SP-YK/402		M4	2,3	4,9	10,0	4,3	8,5	17,0	0,8	Mavi	●	200	~0,2 kg.	0,110	22,00
SP-YK/502		M5	2,3	4,9	10,0	5,3	9,5	19,0	0,8	Mavi	●	200	~0,2 kg.	0,120	24,00
SP-YK/602		M6	2,3	4,9	10,0	6,4	12,0	21,0	0,8	Mavi	●	100	~0,2 kg.	0,140	14,00
SP-YK/802		M8	2,3	4,9	10,0	8,4	12,0	22,0	0,8	Mavi	●	100	~0,1 kg.	0,170	17,00
SP-YK/1002		M10	2,3	4,9	10,0	10,5	13,6	22,0	0,8	Mavi	●	100	~0,2 kg.	0,230	23,00
SP-YK/1202	M12	2,3	4,9	10,0	13,0	19,2	25,0	0,8	Mavi	●	100	~0,2 kg.	0,240	24,00	
SP-YK/406	4-6	M4	3,6	6,7	13,0	4,3	9,5	21,0	1,0	Sarı	●	100	~0,2 kg.	0,200	20,00
SP-YK/506		M5	3,6	6,7	13,0	5,3	9,5	22,0	1,0	Sarı	●	100	~0,2 kg.	0,200	20,00
SP-YK/606		M6	3,6	6,7	13,0	6,4	12,0	22,5	1,0	Sarı	●	100	~0,2 kg.	0,220	22,00
SP-YK/806		M8	3,6	6,7	13,0	8,4	15,0	26,0	1,0	Sarı	●	75	~0,2 kg.	0,260	19,50
SP-YK/1006		M10	3,6	6,7	13,0	10,5	15,0	28,0	1,0	Sarı	●	75	~0,2 kg.	0,280	21,00
SP-YK/1206		M12	3,6	6,7	13,0	13,0	19,2	28,0	1,0	Sarı	●	50	~0,2 kg.	0,300	15,00

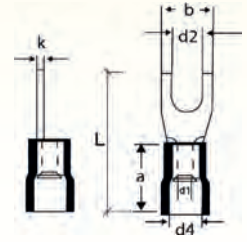
SP-YK Özellikleri

Hammadde	: Bakır
Material	: Copper
Kaplama	: Kalay
Coating	: Tin Plated
İzolasyon	: Naylon
Insulation	: Nylon



SP-CK İZOLELİ ÇATAL TİP KABLO PABUÇLARI

INSULATED FORK TYPE TERMINALS



*5846 sayılı yasa gereği fotoğrafların izinsiz yayınlanması ve kullanılması kesinlikle yasaktır.

ÜRÜN KODU Order Code	KABLO KESİTİ Cable Section (mm ²)	CIVATA DELİĞİ Bolt	BOYUTLAR Dimensions							RENK Color	KUTU ADEDİ Box Pcs.	KUTU AĞIRLIĞI Box Weight	ADET FİYATI TL Unit Price TL	KUTU FİYATI TL Box Price TL	
			d1	d4	a	d2	b	L	K						
SP-CK/301	0,5-1,5	M3	1,6	4,3	10,0	3,2	5,7	21,2	0,7	Kırmızı	●	200	~0,2 kg.	0,085	17,00
SP-CK/401		M4	1,6	4,3	10,0	4,3	8,1	21,2	0,7	Kırmızı	●	200	~0,2 kg.	0,090	18,00
SP-CK/501		M5	1,6	4,3	10,0	5,3	9,5	21,2	0,7	Kırmızı	●	200	~0,2 kg.	0,110	22,00
SP-CK/601		M6	1,6	4,3	10,0	6,4	12	27,2	0,7	Kırmızı	●	200	~0,2 kg.	0,125	25,00
SP-CK/302	1,5-2,5	M3	2,3	4,9	10,0	3,2	5,7	21,2	0,8	Mavi	●	200	~0,2 kg.	0,100	20,00
SP-CK/402		M4	2,3	4,9	10,0	4,3	8,1	21,2	0,8	Mavi	●	200	~0,2 kg.	0,110	22,00
SP-CK/502		M5	2,3	4,9	10,0	5,3	9,5	21,2	0,8	Mavi	●	200	~0,2 kg.	0,120	24,00
SP-CK/602		M6	2,3	4,9	10,0	6,4	12	27,2	0,8	Mavi	●	100	~0,2 kg.	0,130	13,00
SP-CK/406	4-6	M4	3,6	6,7	13,0	4,3	8,3	26,0	1,0	Sarı	●	100	~0,2 kg.	0,180	18,00
SP-CK/506		M5	3,6	6,7	13,0	5,3	9,0	26,0	1,0	Sarı	●	100	~0,2 kg.	0,180	18,00
SP-CK/606		M6	3,6	6,7	13,0	6,4	12,0	32,0	1,0	Sarı	●	100	~0,2 kg.	0,220	22,00
SP-CK/806		M8	3,6	6,7	13,0	8,4	14,0	32,0	1,0	Sarı	●	75	~0,2 kg.	0,250	18,75

SP-CK Özellikleri

Hammadde	: Bakır
Material	: Copper
Kaplama	: Kalay
Coating	: Tin Plated
İzolasyon	: Naylon
Insulation	: Nylon

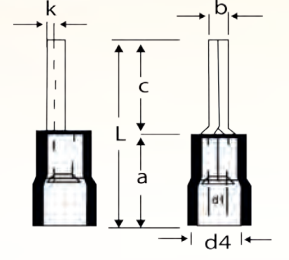


SP-İK İZOLELİ İĞNE TİP KABLO UÇLARI

INSULATED PIN TYPE CONNECTORS



*5846 sayılı yasa gereği fotoğrafların izinsiz yayınlanması ve kullanılması kesinlikle yasaktır.



ÜRÜN KODU Order Code	KABLO KESİTİ Cable Section (mm ²)	BOYUTLAR Dimensions							RENK Color	KUTU ADEĐİ Box Pcs.	KUTU AĞIRLIĐI Box Weight	ADET FİYATI TL Unit Price TL	KUTU FİYATI TL Box Price TL	
		d1	d4	a	c	b	L	K						
SP-İK/0,5-1,5	0,5-1,5	1,7	4,3	10,0	10,0	1,9	20,0	0,75	Kırmızı	●	200	~0,2 kg.	0,095	19,00
SP-İK/1,5-2,5	1,5-2,5	2,3	4,9	10,0	12,0	1,9	22,0	0,8	Mavi	●	200	~0,2 kg.	0,100	20,00
SP-İK/4-6	4-6	3,4	6,7	13,0	12,5	2,8	25,5	1,0	Sarı	●	100	~0,2 kg.	0,185	18,50

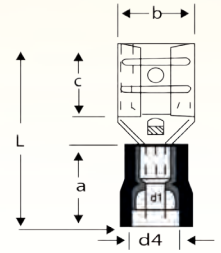
SP-İK Özellikleri

Hammadde	: Bakır
Material	: Copper
Kaplama	: Kalay
Coating	: Tin Plated
İzolasyon	: PVC
Insulation	: PVC



SP-FD İZOLELİ DİŞİ FASTON TİP KABLO UÇLARI

INSULATED RECEPTACLES



*5846 sayılı yasa gereği fotoğrafların izinsiz yayınlanması ve kullanılması kesinlikle yasaktır.

ÜRÜN KODU Order Code	KABLO KESİTİ Cable Section (mm ²)	SOKET GENİŞLİĞİ Tab Size	BOYUTLAR Dimensions						RENK Color	KUTU ADEDİ Box Pcs.	KUTU AĞIRLIĞI Box Weight	ADET FİYATI TL Unit Price TL	KUTU FİYATI TL Box Price TL	
			d1	d4	a	c	b	L						
SP-FD/1288-5	0,5-1,5	0,5X2,8	1,7	3,8	10,0	6,6	3,8	19,0	Kırmızı	●	200	~0,1 kg.	0,170	34,00
SP-FD/1288		0,8X2,8	1,7	3,8	10,0	6,6	3,8	19,0	Kırmızı	●	200	~0,1 kg.	0,170	34,00
SP-FD/1488-5		0,5X4,75	1,7	3,8	10,0	6,4	5,6	19,0	Kırmızı	●	200	~0,1 kg.	0,185	37,00
SP-FD/1488		0,8X4,75	1,7	3,8	10,0	6,4	5,6	19,0	Kırmızı	●	200	~0,1 kg.	0,185	37,00
SP-FD/1638		0,8X6,35	1,7	3,8	10,0	7,5	7,4	21,0	Kırmızı	●	100	~0,1 kg.	0,210	21,00
SP-FD/2288	1,5-2,5	0,8X2,8	2,3	4,3	10,0	6,5	3,8	19,0	Mavi	●	200	~0,1 kg.	0,185	37,00
SP-FD/2488		0,8X4,75	2,3	4,3	10,0	6,4	5,6	19,0	Mavi	●	200	~0,1 kg.	0,185	37,00
SP-FD/2638		0,8X6,35	2,3	4,3	10,0	7,5	7,4	21,0	Mavi	●	100	~0,1 kg.	0,245	24,50
SP-FD/2778		0,8X8	2,3	4,3	10,0	10	9,0	23,0	Mavi	●	100	~0,1 kg.	0,290	29,00
SP-FD/5638	4-6	0,8X6,35	3,4	5,7	13,0	7,5	7,4	25,0	Sarı	●	100	~0,1 kg.	0,340	34,00
SP-FD/5956		1,2X9,4	3,4	5,7	13,0	12	10,9	29,6	Sarı	●	50	~0,1 kg.	0,500	25,00

SP-FD Özellikleri

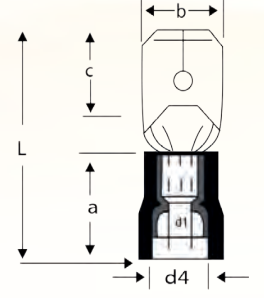
Hammadde	: Pirinç
Material	: Brass
Kaplama	: Kalay
Coating	: Tin Plated
İzolasyon	: PVC
Insulation	: PVC



SP-FE İZOLELİ ERKEK FASTON TİP KABLO UÇLARI INSULATED TABS



*5846 sayılı yasa gereği fotoğrafların izinsiz yayınlanması ve kullanılması kesinlikle yasaktır.



ÜRÜN KODU Order Code	KABLO KESİTİ Cable Section (mm ²)	SOKET GENİŞLİĞİ Tab Size	BOYUTLAR Dimensions						RENK Color	KUTU ADEDİ Box Pcs.	KUTU AĞIRLIĞI Box Weight	ADET FİYATI Unit Price TL	KUTU FİYATI Box Price TL
			d1	d4	a	c	b	L					
SP-FE/1288	0,5-1,5	0,8X2,8	1,7	4,3	10,0	6,5	2,8	17,7	Kırmızı ●	250	~0,1 kg.	0,150	37,50
SP-FE/1488		0,8X4,75	1,7	4,3	10,0	6,7	4,75	20,0	Kırmızı ●	250	~0,2 kg.	0,185	46,25
SP-FE/1638		0,8X6,35	1,7	4,3	10,0	7,7	6,35	21,0	Kırmızı ●	150	~0,1 kg.	0,220	33,00
SP-FE/2488	1,5-2,5	0,8X4,75	2,3	4,3	10,0	6,7	4,75	20,0	Mavi ●	250	~0,2 kg.	0,220	55,00
SP-FE/2638		0,8X6,35	2,3	4,3	10,0	7,7	6,35	21,0	Mavi ●	150	~0,1 kg.	0,240	36,00
SP-FE/5638	4-6	0,8X6,35	3,4	5,7	13,0	7,7	6,35	25,0	Sarı ●	100	~0,1 kg.	0,340	34,00

SP-FE Özellikleri

Hammadde	: Pirinç
Material	: Brass
Kaplama	: Kalay
Coating	: Tin Plated
İzolasyon	: PVC
Insulation	: PVC

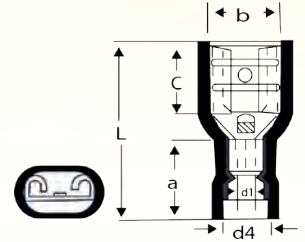


SP-IFD TAM İZOLELİ DİŞİ FASTON TİP KABLO UÇLARI

INSULATED RECEPTACLES



*5846 sayılı yasa gereği fotoğrafların izinsiz yayınlanması ve kullanılması kesinlikle yasaktır.



ÜRÜN KODU Order Code	KABLO KESİTİ Cable Section (mm ²)	SOKET GENİŞLİĞİ Tab Size	BOYUTLAR Dimensions						RENK Color	KUTU ADEDİ Box Pcs.	KUTU AĞIRLIĞI Box Weight	ADET FİYATI Unit Price TL	KUTU FİYATI Box Price TL
			d1	d4	a	c	b	L					
SP-IFD/1488-5		0,5X4,75	1,7	3,8	10,5	6,4	5,6	20,0	Kırmızı ●	100	~0,1 kg.	0,240	24,00
SP-IFD/1488	0,5-1,5	0,8X4,75	1,7	3,8	10,5	6,4	5,6	20,0	Kırmızı ●	100	~0,1 kg.	0,240	24,00
SP-IFD/1638		0,8X6,35	1,7	3,8	10,5	7,5	7,4	21,5	Kırmızı ●	100	~0,2 kg.	0,280	28,00
SP-IFD/2488	1,5-2,5	0,8X4,75	2,3	4,7	10,5	6,4	5,6	20,0	Mavi ●	100	~0,1 kg.	0,240	24,00
SP-IFD/2638		0,8X6,35	2,3	4,7	10,5	7,5	7,4	21,5	Mavi ●	100	~0,2 kg.	0,270	27,00
SP-IFD/5638	4-6	0,8X6,35	3,4	6,2	12,5	7,5	7,4	25,5	Sarı ●	75	~0,1 kg.	0,360	27,00

SP-IFD Özellikleri

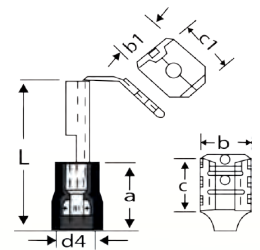
Hammadde	: Pirinç
Material	: Brass
Kaplama	: Kalay
Coating	: Tin Plated
İzolasyon	: PVC
Insulation	: PVC

SP-FEG İZOLELİ GERİ DÖNÜŞLÜ FASTON TİP KABLO UÇLARI

INSULATED RECEPTACLES, MULTIPLE TYPE



*5846 sayılı yasa gereği fotoğrafların izinsiz yayınlanması ve kullanılması kesinlikle yasaktır.



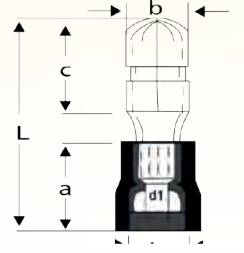
ÜRÜN KODU Order Code	KABLO KESİTİ Cable Section (mm ²)	SOKET GENİŞLİĞİ Tab Size	BOYUTLAR Dimensions								RENK Color	KUTU ADEDİ Box Pcs.	KUTU AĞIRLIĞI Box Weight	ADET FİYATI Unit Price TL	KUTU FİYATI Box Price TL
			d1	d4	a	c	c1	b	b1	L					
SP-FEG/1638	0,5-1,5	0,8X6,35	1,7	3,8	10,0	8,0	8,2	7,4	6,35	21,5	Kırmızı ●	100	~0,1 kg.	0,320	32,00
SP-FEG/2638	0,5-2,5	0,8X6,35	2,3	4,3	10,0	8,0	8,2	7,4	6,35	21,5	Mavi ●	100	~0,2 kg.	0,330	33,00
SP-FEG/5638	4-6	0,8X6,35	3,4	5,7	13,0	8,0	8,2	7,4	6,35	25,0	Sarı ●	100	~0,2 kg.	0,410	41,00

SP-FEG Özellikleri

Hammadde	: Pirinç
Material	: Brass
Kaplama	: Kalay
Coating	: Tin Plated
İzolasyon	: PVC
Insulation	: PVC

SP-ET İZOLELİ ERKEK KABLO TERMİNALLERİ

INSULATED MALE BULLET CONNECTORS



*5846 sayılı yasa gereği fotoğrafların izinsiz yayınlanması ve kullanılması kesinlikle yasaktır.

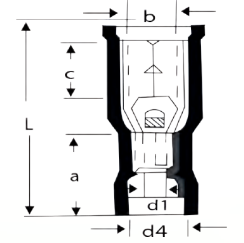
ÜRÜN KODU Order Code	KABLO KESİTİ (mm ²) Cable Section (mm ²)	BOYUTLAR Dimensions						RENK Color	KUTU ADEDİ Box Pcs.	KUTU AĞIRLIĞI Box Weight	ADET FİYATI TL Unit Price TL	KUTU FİYATI TL Box Price TL
		d1	d4	a	c	b	L					
SP-ET/1040	0,5-1,5	1,7	3,8	10,0	11,0	4,0	21,0	Kırmızı ●	200	~0,2 kg.	0,185	37,00
SP-ET/2040	1,5-2,5	2,3	4,7	10,0	11,0	4,0	21,0	Mavi ●	200	~0,2 kg.	0,195	39,00
SP-ET/2050		2,3	4,7	10,0	11,0	5,0	21,0	Mavi ●	200	~0,2 kg.	0,205	41,00
SP-ET/5050	4-6	3,4	6,2	13,0	12,0	5,0	25,0	Sarı ●	100	~0,1 kg.	0,270	27,00

ET Özellikleri

Hammadde	: Pirinç
Material	: Brass
Kaplama	: Kalay
Coating	: Tin Plated
İzolasyon	: PVC
Insulation	: PVC

SP-DT İZOLELİ DIŞI KABLO TERMİNALLERİ

INSULATED MALE BULLET CONNECTORS



*5846 sayılı yasa gereği fotoğrafların izinsiz yayınlanması ve kullanılması kesinlikle yasaktır.

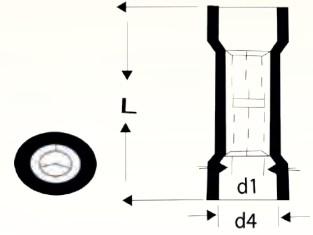
ÜRÜN KODU Order Code	KABLO KESİTİ (mm ²) Cable Section (mm ²)	BOYUTLAR Dimensions						RENK Color	KUTU ADEDİ Box Pcs.	KUTU AĞIRLIĞI Box Weight	ADET FİYATI TL Unit Price TL	KUTU FİYATI TL Box Price TL
		d1	d4	a	c	b	L					
SP-DT/1040	0,5-1,5	1,7	3,8	10,5	7,0	4,0	24,5	Kırmızı ●	100	~0,2 kg.	0,250	25,00
SP-DT/2040	1,5-2,5	2,3	4,7	10,5	7,0	4,0	24,5	Mavi ●	100	~0,2 kg.	0,255	25,50
SP-DT/2050		2,3	4,7	10,5	7,0	5,0	25,5	Mavi ●	100	~0,2 kg.	0,270	27,00
SP-DT/5050	4-6	3,4	6,2	10,5	7,0	5,0	29,5	Sarı ●	100	~0,2 kg.	0,390	39,00

SP-DT Özellikleri

Hammadde	: Pirinç
Material	: Brass
Kaplama	: Kalay
Coating	: Tin Plated
İzolasyon	: PVC
Insulation	: PVC



SP-IEM İZOLELİ EK MUFLARI INSULATED BUTT CONNECTORS



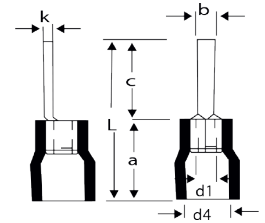
*5846 sayılı yasa gereği fotoğrafların izinsiz yayınlanması ve kullanılması kesinlikle yasaktır.

ÜRÜN KODU Order Code	KABLO KESİTİ (mm ²) Cable Section (mm ²)	BOYUTLAR Dimensions			RENK Color	KUTU ADEDİ Box Pcs.	KUTU AĞIRLIĞI Box Weight	ADET FİYATI TL Unit Price TL	KUTU FİYATI TL Box Price TL
		d1	d4	L					
SP-IEM/251	0,5-1,5	1,7	4,0	25,0	Kırmızı ●	150	~0,1 kg.	0,195	29,25
SP-IEM/252	1,5-2,5	2,3	4,9	16,0	Mavi ●	150	~0,3 kg.	0,220	33,00
SP-IEM/256	4-6	3,6	6,7	20,5	Sarı ●	100	~0,2 kg.	0,400	40,00

SP-IEM Özellikleri

Hammadde	: Piriç
Material	: Brass
Kaplama	: Kalay
Coating	: Tin Plated
İzolasyon	: PVC
Insulation	: PVC

SP-IBU İZOLELİ BIÇAK TİP KABLO UÇLARI INSULATED BLADE TYPE TERMINALS



*5846 sayılı yasa gereği fotoğrafların izinsiz yayınlanması ve kullanılması kesinlikle yasaktır.

ÜRÜN KODU Order Code	KABLO KESİTİ (mm ²) Cable Section (mm ²)	BOYUTLAR Dimensions							RENK Color	KUTU ADEDİ Box Pcs.	KUTU AĞIRLIĞI Box Weight	ADET FİYATI TL Unit Price TL	KUTU FİYATI TL Box Price TL
		d1	d4	a	c	b	L	K					
SP-IBU/101-14	0,5-1,5	1,7	3,8	10,0	14,0	3	24,0	0,75	Kırmızı ●	200	~0,2 kg.	0,220	44,00
SP-IBU/102-18	1,5-2,5	2,3	4,9	10,0	18,0	2,2	28,0	0,75	Mavi ●	200	~0,2 kg.	0,280	56,00

SP-IBU Özellikleri

Hammadde	: Piriç
Material	: Brass
Kaplama	: Kalay
Coating	: Tin Plated
İzolasyon	: PVC
Insulation	: PVC



KSP Mekanik Sıkma Pensesi Mechanic Crimping Tool



ÜRÜN KODU Order Code	SIKMA KAPASİTESİ Crimping Capacity	AĞIRLIK Weight	BOY Length	SIKMA FORMU Crimping Form	FİYATI TL/Ad. Unit Price TL
KSP-50	6 - 50 mm ²	1,250 kg	375 mm	Altıgen Sıkma	195,00
KSP-85	10 - 120 mm ²	3,530 kg	610 mm	Altıgen Sıkma	310,00
KSP-150	16 - 150 mm ²	3,420 kg	650 mm	Altıgen Sıkma	320,00
KSP-240	120 - 240 mm ²	4,450 kg	950 mm	Nokta Sıkma	640,00

*Standart tip bakır kablo pabuçlarını sıkır.

*Crimping tool for standard type copper cable lugs.

ÜRÜN KODU Order Code	SIKMA KAPASİTESİ Crimping Capacity	AĞIRLIK Weight	BOY Length	SIKMA FORMU Crimping Form	FİYATI TL/Ad. Unit Price TL
KSP-10/150	10 - 150 mm ²	3,665 kg	605 mm	MW Sıkma Altıgen Sıkma	900,00

*Standart tip bakır kablo pabuçlarını sıkır. **Taşıma çantası dahil değildir.

*Crimping tool for standard type copper cable lugs. **Carrying case is not included.

ÜRÜN KODU Order Code	SIKMA KAPASİTESİ Crimping Capacity	AĞIRLIK Weight	BOY Length	SIKMA FORMU Crimping Form	FİYATI TL/Ad. Unit Price TL
KSP-10/240	10 - 240 mm ²	9,600 kg	800 mm	MW Sıkma Altıgen Sıkma	1.150,00
KSP-10/300	10 - 300 mm ²	9,700 kg	800 mm	MW Sıkma Altıgen Sıkma	1.220,00

*Standart tip bakır kablo pabuçlarını sıkır. ** KSP-10/240 ve KSP-10/300 için taşıma çantası dahildir.

*Crimping tool for standard type copper cable lugs. **Carrying case is included for KSP-10/240 ve KSP-10/300.

AL-KSP Mekanik Sıkma Pensesi Mechanic Crimping Tool

ÜRÜN KODU Order Code	SIKMA KAPASİTESİ Crimping Capacity	AĞIRLIK Weight	BOY Length	SIKMA FORMU Crimping Form	FİYATI TL/Ad. Unit Price TL
AL-KSP-10/240	10 - 240 mm ² (AL)	9,700 kg	800 mm	MW Sıkma Altıgen Sıkma	1.350,00
AL-KSP-10/300	10 - 300 mm ² (AL)	9,800 kg	800 mm	MW Sıkma Altıgen Sıkma	1.420,00

*Standart tip ALÜMİNYUM kablo pabuçlarını sıkır. **AL-KSP-10/240 ve AL-KSP-10/300 için taşıma çantası dahildir.

*Crimping tool for standard type copper cable lugs. **Carrying case is included for AL-KSP-10/240 ve AL-KSP-10/300

** KSP-10/150, KSP-10/240, KSP-10/300, AL-KSP-10/240 ve AL-KSP-10/300 için standart olarak MW sıkma kalıpları ile sevk edilir. Altıgen kalıp için siparişte mutlaka belirtilmelidir.



HSP Hidrolik Çift El Pabuç Sıkma Pensesi



ÜRÜN KODU Order Code	SIKMA KAPASİTESİ Crimping Capacity	SIKMA KUVVETİ Crimping Force	ÇALIŞMA SICAKLIĞI Operating Temperature	AĞIRLIK Weight	BOY Length	FİYATI TL/Ad. Unit Price TL
HSP-240	10 - 240 mm ²	57 kN	-20, +40 °C	8,150 kg	500 mm	2.100,00
HSP-300	10 - 300 mm ²	60 kN	-20, +40 °C	9,100 kg	560 mm	2.300,00

*360° döner sıkma başlığı. *Basınç ayar sınırlayıcıdır. *Standart tip bakır kablo pabuçlarını sıkır. *Sıkma kalıpları ve taşıma çantası dahildir.

*360° rotating crimping cap. * Crimping tool for standart type copper cable lugs. *Crimping dies and carrying case are included.



ÜRÜN KODU Order Code	SIKMA KAPASİTESİ Crimping Capacity	SIKMA KUVVETİ Crimping Force	ÇALIŞMA SICAKLIĞI Operating Temperature	AĞIRLIK Weight	BOY Length	FİYATI TL/Ad. Unit Price TL
HSP-10/240	10 - 240 mm ² Çalışma basıncı : 600 bar Max basınç : 700 bar	70 kN	-20, +40 °C	15,160 kg	2.800 mm	1.950,00
HSP-10/300	10 - 300 mm ² Çalışma basıncı : 600 bar Max basınç : 700 bar	70 kN	-20, +40 °C	15,300 kg	2.800 mm	2.050,00

*360° döner sıkma başlığı. *Basınç ayar sınırlayıcıdır. *Standart tip bakır kablo pabuçlarını sıkır. *Sıkma kalıpları ve taşıma çantası dahildir.

*360° rotating crimping cap. * Crimping tool for standart type copper cable lugs. *Crimping dies and carrying case are included.

ÜRÜN KODU Order Code	SIKMA KAPASİTESİ Crimping Capacity	SIKMA KUVVETİ Crimping Force	ÇALIŞMA SICAKLIĞI Operating Temperature	AĞIRLIK Weight	BOY Length	FİYATI TL/Ad. Unit Price TL
HSP-10/240-AL1000	10 - 240 mm ² Çalışma basıncı : 700 bar Max basınç : 1000 bar	100 kN	-20, +40 °C	17,180 kg	2.740 mm	2.100,00
HSP-10/300-AL1000	10 - 300 mm ² Çalışma basıncı : 700 bar Max basınç : 1000 bar	100 kN	-20, +40 °C	17,320 kg	2.740 mm	2.200,00

*360° döner sıkma başlığı. *Basınç ayar sınırlayıcıdır. *Standart tip bakır kablo pabuçlarını sıkır. *Sıkma kalıpları ve taşıma çantası dahildir.

*360° rotating crimping cap. * Crimping tool for standart type copper cable lugs. *Crimping dies and carrying case are included.

ÜRÜN KODU Order Code	SIKMA KAPASİTESİ Crimping Capacity	SIKMA KUVVETİ Crimping Force	ÇALIŞMA SICAKLIĞI Operating Temperature	AĞIRLIK Weight	BOY Length	FİYATI TL/Ad. Unit Price TL
HSP-300CME	10 - 300 mm ² Çalışma basıncı : 600 bar Max basınç : 700 bar	65 kN	-20, +40 °C	20,500 kg	2.840 mm	2.400,00

*Standart tip bakır kablo pabuçlarını sıkır,*Sıkma kalıpları, 2m hortum, sıkma başlığı ve taşıma çantası dahildir. Sıkma başlığı gerektiğinde masa üzerine sabitlenerek kullanılır.

*Crimping tool for standart type copper cable lugs. *Crimping dies, 2m hose, crimping cap and carrying case are included. *If necessary, crimping cap can be fixed on a table.

ASP Hidrolik Çift El Pabuç Sıkma Pensesi



ÜRÜN KODU Order Code	SIKMA KAPASİTESİ Crimping Capacity	SIKMA KUVVETİ Crimping Force	ÇALIŞMA SICAKLIĞI Operating Temperature	AĞIRLIK Weight	BOY Length	FİYATI TL/Ad. Unit Price TL
ASP-240	10 - 240 mm ²	57 kN	-20, +40 ° C	8,250 kg	500 mm	2.250,00
ASP-300	10 - 300 mm ²	60 kN	-20, +40 ° C	9,200 kg	560 mm	2.400,00

*360° döner sıkma başlığı *Basınç ayar sınırlayıcıdır. *Standart tip alüminyum kablo pabuçlarını sıkır. *Sıkma kalıpları ve taşıma çantası dahildir.

*360° rotating crimping cap. *Crimping tool for standart type aluminium cable lugs. *Crimping dies and carrying case are included.



ÜRÜN KODU Order Code	SIKMA KAPASİTESİ Crimping Capacity	SIKMA KUVVETİ Crimping Force	ÇALIŞMA SICAKLIĞI Operating Temperature	AĞIRLIK Weight	BOY Length	FİYATI TL/Ad. Unit Price TL
ASP-10/240	10 - 240 mm ² Çalışma basıncı : 600 bar Max basınç : 700 bar	70 kN	-20, +40 ° C	15,260 kg	2.800 mm	2.100,00
ASP-10/300	10 - 300 mm ² Çalışma basıncı : 600 bar Max basınç : 700 bar	70 kN	-20, +40 ° C	15,400 kg	2.800 mm	2.200,00

*Standart tip alüminyum kablo pabuçlarını sıkır. *Sıkma kalıpları, 2m hortum, sıkma başlığı ve taşıma çantası dahildir.

*Crimping tool for standart type aluminium cable lugs. *Crimping dies, 2m hose, crimping cap and carrying case are included.

ÜRÜN KODU Order Code	SIKMA KAPASİTESİ Crimping Capacity	SIKMA KUVVETİ Crimping Force	ÇALIŞMA SICAKLIĞI Operating Temperature	AĞIRLIK Weight	BOY Length	FİYATI TL/Ad. Unit Price TL
ASP-10/240-AL1000	10 - 240 mm ² Çalışma basıncı : 700 bar Max basınç : 1000 bar	100 kN	-20, +40 ° C	17,280 kg	2.740 mm	2.300,00
ASP-10/300-AL1000	10 - 240 mm ² Çalışma basıncı : 700 bar Max basınç : 1000 bar	100 kN	-20, +40 ° C	17,420 kg	2.740 mm	2.400,00

*Standart tip alüminyum kablo pabuçlarını sıkır. *Basınç ayar sınırlayıcıdır.*Sıkma kalıpları,2m hortum, sıkma başlığı ve taşıma çantası dahildir.

*Crimping tool for standart type aluminium cable lugs. *Crimping dies, 2m hose, crimping cap and carrying case are included.

ÜRÜN KODU Order Code	SIKMA KAPASİTESİ Crimping Capacity	SIKMA KUVVETİ Crimping Force	ÇALIŞMA SICAKLIĞI Operating Temperature	AĞIRLIK Weight	BOY Length	FİYATI TL/Ad. Unit Price TL
ASP-10/300-A	10 - 300 mm ² Çalışma basıncı : 500 bar Max basınç : 700 bar	65 kN	-20, +40 ° C	15,700 kg	2.750 mm	2.500,00

*Standart tip alüminyum kablo pabuçlarını sıkır. *Sıkma kalıpları, 2m hortum, sıkma başlığı ve taşıma çantası dahildir.

*Crimping tool for standart type aluminium cable lugs. *Crimping dies, 2m hose, crimping cap and carrying case are included.

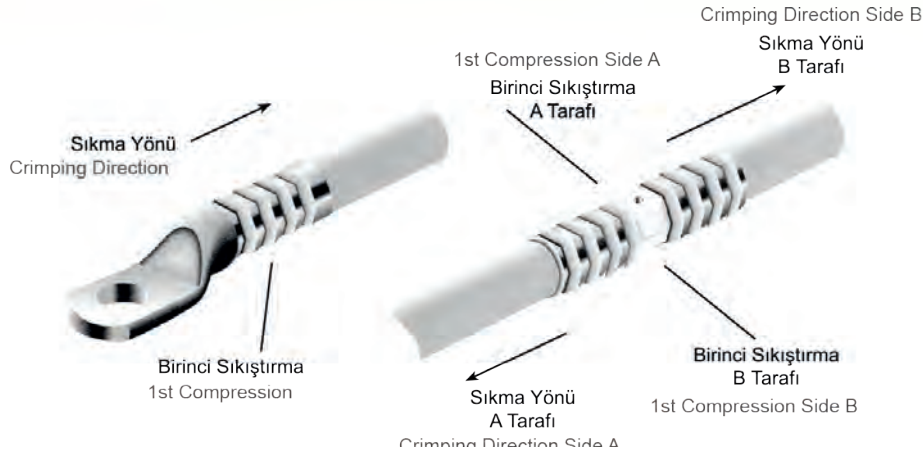
TEKNİK BİLGİLER TECHNICAL DATA

Kablo Pabucu ve Muflarının Sıkılması

1. Girme derinliğine göre iletkenin ucunu sıyırın (sıkılmamış ucun boy derinliğinden dolayı +%10)
2. İletken uçları montajdan önce bir bez veya fırça ile temizlenmelidir.
3. İletkeni sonuna kadar kablo pabucuna veya konnektöre sokun.
4. Sıkma yönünü izlerken uygun takımı kullanarak kablo pabucunu veya soketi sıkın.
5. Kablo pabuçları veya konnektörler için sıkma yönü aşağıdaki şekilde gösterilmektedir.
6. Sıkma işlemi tamamlandıktan sonra, kablo pabuçlarından ve sıkıştırılmalı bağlantılardan çıkan fazla malzemeleri ayırın.

Assembly Instructions for Cable Lugs and Connectors

1. Strip conductor according to insertion depth (+10% because of length changing of crimped sleeve)
2. Conductor ends must be cleaned with a cloth or brush or before assembly.
3. Insert conductor fully into cable lug or connector.
4. Paying attention crimping direction, crimp the cable lug or connector using the appropriate tools. The crimping direction for cable lugs and connectors is indicated in the illustration below.
5. After crimping, wipe away excess compound forced out from aluminium cable lugs and connectors.



Muhtelif Kablo Pabucu Sıkma Tiplerine Ait Önerilen Sıkma Miktarları

We Recommend the Following Number of Compression for Individual Cable Sections

KABLO KESİTİ (mm ²) Cable Section (mm ²)	Standart SKP Kablo Pabuçları 5mm'lik Sıkma Çeneli Tubular Cable Lugs 5mm Crimping die	Geniş Sıkma Çeneleri Wide Crimping dies	DIN 46235'e uygun Kablo Pabuçları 5mm'lik Sıkma Çeneli DIN Cable Lugs 5mm Crimping die	Geniş Sıkma Çeneleri Wide Crimping dies	Alüminyum Kablo Pabuçları 7mm'lik Sıkma Çeneli Aluminium Cable Lugs 7mm Crimping die	Geniş Sıkma Çeneleri Wide Crimping dies
6	1		2			
10	1		2			
16	1	1	2	1	4	2
25	2	1	2	1	4	2
35	2	1	2	1	5	2
50	2	1	3	1	5	2
70	2	1	3	1	6	3
95	2	1	4	2	6	3
120	2	1	4	2	6	3
150	2	1	4	2	6	3
185	1	1	4	2	6	3
240	4	2	5	2	8	3
300	4	2		2	8	3
400	4	2		3		4
500				3		4
625				3		
800				3		
1000				3		

Simpa[®]

Yetkili Satıcı

SİMPA ELEKTRİK MALZEMESİ SAN. ve TİC. A.Ş.

DES Sanayi Sitesi 105. Sokak B11 Blok No: 16

Yukarı Dudullu - İstanbul

T: +90 (216) 415 38 97

F: +90 (216) 420 68 82

info@simpaelektrik.com.tr

www.simpaelektrik.com

www.simpaelektrik.com.tr